



The Heart of the Home



StoveBuddy





Classic 3



Classic 4

**5
of
the
best**



Classic 5



Classic 5 Wide



Stubby 5

The Stove Buddy range of multifuel stoves

All the Stove Buddy family stoves are energy efficiency Class A+, approved to BSEN 13240, Eco Design 2022 approved for use in a smoke controlled area when burning wood, or smokeless fuels.

All our Stove Buddy models are designed using the latest research and manufacturing technology and when used correctly it is possible to have a beautiful, warm fire with stay clean glass.

Feature-rich Stoves

- 4kW or 5kW nominal heat output
- 5mm thick steel body
- Cast Iron door and grate
- Extra Large viewing window
- Easy to use controls
- Slim depth installation
- Tertiary air supply
- Clean glass preheated air wash system
- Large ashpan
- CE Approval to standard BS EN 13240
- CLEAN BURN Eco design 2022
- High efficiency
- Low particulate emissions
- 5 year warranty after registering your purchase



Classic 3

Compact 5kW Multifuel Stove

The **Classic 3 Multifuel** stove is one of our smallest stoves in our range but packs a punch, this 5kw compact stove still has a huge stay glass window. It makes an instant impact with its contemporary styling. With the large viewing window, discrete black door handle combined with easy to use controls ensures the Classic 3 is a joy to have in your home. The durable steel body and thick profiled cast iron door & log retaining bar that is both functional and enhances the overall look especially when alight.



Features

- 5kW nominal heat output
- 5mm thick steel body
- Cast iron door and grate
- Extra large viewing window
- Easy to use operating controls
- Slim depth installation
- Tertiary air supply
- Clean glass preheated air wash system
- Large ashpan
- Takes log lengths up to 280mm (11")
- 125mm (5") top or rear flue connection
- CE Approval to standard BS EN 13240
- CLEAN BURN Eco design 2022
- Weight – 55kg
- 83.1% efficiency on wood
- 77.4% efficiency on Maxibrite
- 370 wide x 315 deep x 490mm high
- Low particulate emissions 12 Nmg/m³
- Additional ventilation not normally required
- Suitable for fitting on a 12mm hearth

Buddy Accessories
Every Stove Buddy comes with Accessories

The **Classic 3 Multifuel** incorporates the latest stove technology so you can fuel this stove on wood, even in a smoke controlled area. Incorporating the latest stove manufacturing technology this large Class A+ appliance has a nominal heat output of 5kW, with a High Energy Efficiency of 83.1%.

2022 EU Eco Design compliant

Designed for high efficiency, low particulate emissions

Multifuel as standard

Optional direct air connection to an external air supply for use with modern, airtight homes





LIC

Classic 4

Compact 4kW Multifuel Stove

The **Classic 4 Multifuel** stove is the smallest stove in the family but still has a huge stay clean glass window.

It makes an instant impact with its contemporary style. The large viewing window and discreet black painted handle, combined with amazing stay clean glass, ensures that the Buddy 4 stove is a joy to have in the home and great fun to use.

This durable steel bodied stove features a cast iron door and a log retaining bar that is both functional and enhances the overall appearance, especially when lit.



Features

- 4kW nominal heat output
- 5mm thick steel body
- Cast iron door and grate
- Extra large viewing window
- Easy to use operating controls
- Slim depth installation
- Tertiary air supply
- Clean glass preheated air wash system
- Large ashpan
- Takes logs up to 280mm (11")
- 125mm (5") top or rear flue connection
- CE Approval to standard BS EN 13240
- CLEAN BURN Eco design 2022
- Weight – 50kg
- 77.1% efficiency on wood
- 79.8% efficiency on Maxibrite
- 370 wide x 275 deep x 490mm high
- Additional ventilation not normally required
- Suitable for fitting on a 12mm hearth

The **Classic 4 Multifuel** incorporates the latest stove technology so you can fuel this stove on wood, even in a smoke controlled area. Incorporating the latest stove manufacturing technology this large Class A+ appliance has a nominal heat output of 4kW, with a High Energy Efficiency of 77.1%.

2022 EU Eco Design compliant

Designed for high efficiency, low particulate emissions

Multifuel as standard

Optional direct air connection to an external air supply for use with modern, airtight homes



Buddy Accessories

Every Stove Buddy comes with Accessories

FIRE
GHTERS



Classic 5

5kW Multifuel Stove

The **Classic 5 Multifuel** stove is one of the most popular Stoves in our family and has a huge stay clean glass window.

It makes an instant impact with its contemporary style. The large viewing window and discreet black painted handle, combined with amazing stay clean glass, ensures that the **Classic 5** stove is a joy to have in the home and great fun to use.

This durable steel bodied stove features a cast iron door and a log retaining bar that is both functional and enhances the overall appearance, especially when lit.



Features

- 5kW nominal heat output
- 5mm thick steel body
- Cast iron door and grate
- Extra large viewing window
- Easy to use controls
- Slim depth installation
- Tertiary air supply
- Clean glass preheated air wash system
- Large ashpan
- Takes logs up to 370mm (15")
- 125mm (5") top or rear flue connection
- CE Approval to standard BS EN 13240
- CLEAN BURN Eco design 2022
- Weight - 65kg
- 82.5% efficiency on wood
- 78.8% efficiency on Maxibrite
- 420 wide x 330 deep x 550mm high
- Low particulate emissions
- Additional ventilation not normally required
- Suitable for fitting on a 12mm hearth

The **Classic 5 Multifuel** incorporates the latest stove technology so you can fuel this stove on wood, even in a smoke controlled area. Incorporating the latest stove manufacturing technology this large Class A+ appliance has a nominal heat output of 5kW, with a High Energy Efficiency of 82.5%.

2022 EU Eco Design compliant

Designed for high efficiency, low particulate emissions

Multifuel as standard

Optional direct air connection to an external air supply for use with modern, airtight homes



Buddy Accessories
Every Stove Buddy comes with Accessories

Classic 5 Wide

5kW Multifuel Stove

The **Classic 5 Wide Multifuel** stove is the largest Stove Buddy in our family.

It makes an instant impact with its contemporary style. The extra-large viewing window and discreet black painted handle, combined with amazing stay clean glass, ensures that the Classic 5 Wide stove is a joy to have in the home and great fun to use.

This durable steel bodied stove features a cast iron door and a log retaining bar that is both functional and enhances the overall appearance, especially when lit.



Buddy Accessories
Every Stove Buddy comes with Accessories

Features

- 5kW nominal heat output
- 5mm thick steel body
- Cast iron door and grate
- Extra large viewing window
- Easy to use controls
- Slim depth installation
- Tertiary air supply
- Clean glass preheated air wash system
- Large easy-carry ashpan
- Takes logs up to 370mm (15")
- 125mm (5") top or rear flue connection
- CE Approval to standard BS EN 13240
- CLEAN BURN Eco design 2022
- Weight - 80kg
- 77.1% efficiency on wood
- 79.8% efficiency on Maxibrite
- 490 wide x 330 deep x 575mm high
- Low particulate emissions 10 Nmg/m³
- Additional ventilation not normally required
- Suitable for fitting on a 12mm hearth



Buddy Detail

The **Classic 5 Wide Multifuel** incorporates the latest stove technology so you can fuel this stove on wood, even in a smoke controlled area. Incorporating the latest stove manufacturing technology this large Class A+ appliance has a nominal heat output of 5kW, with a High Energy Efficiency of 81.3%.

2022 EU Eco Design compliant

Designed for high efficiency, low particulate emissions

Multifuel as standard

Optional direct air connection to an external air supply for use with modern, airtight homes





IDLING



Stubby 5

5kW Multifuel Stove

The **Stubby 5 Multifuel** stove is one of the most traditional Stoves in our family and has a huge stay clean glass window.

It maintains its contemporary style, but retains traditional design elements. The large viewing window, hidden hinges and discreet black painted handle, combined with amazing stay clean glass, ensures that the Stubby 5 stove is a joy to have in the home and great fun to use.

This durable steel bodied stove features a distinctive curved cast iron door, log retaining bar and cast fireback that is both functional and enhances the overall appearance, especially when lit. This model also has a signature rotating primary air control.



The **Stubby 5 Multifuel** incorporates the latest stove technology so you can fuel this stove on wood, even in a smoke controlled area. Incorporating the latest stove manufacturing technology this large Class A+ appliance has a nominal heat output of 5kW, with a High Energy Efficiency of 80.7%.

2022 EU Eco Design compliant

Designed for high efficiency, low particulate emissions

Multifuel as standard



Stubby 5 Detail
Rotating primary air control & unique controllable tertiary air lever



Stubby 5 Detail
Secondary air control slider

Features

- 5kW nominal heat output
- 5mm thick steel body
- Cast iron door and grate
- Extra large viewing window
- Easy to use controls
- Slim depth installation
- Tertiary air supply
- Clean glass air wash system
- Large ashpan
- Takes logs up to 350mm (14")
- 125mm (5") top or rear flue connection
- CE Approval to standard BS EN 13240
- CLEAN BURN Eco design 2022
- Weight - 65kg
- 80.7% efficiency on wood
- 79% efficiency on Maxibrite
- 430 wide x 297 deep x 495mm high
- Low particulate emissions 11 Nm³/m³
- Additional ventilation not normally required



Log store

Stubby 5 On Log store

Log Store

All of our stoves are compatible with our optional log stores offering greater design possibilities to accommodate your individual styling requirements. You can use the space beneath for log storage or simply to offer additional height.

Please visit our website or contact your nearest stockist for additional information.

Important Safety & Technical Information

Stove Buddy recommends that an approved competent installer of solid fuel appliances should undertake a site survey prior to purchase. It is a requirement that any of our stoves should be installed by an appropriately qualified approved installer.

To comply with Document J of the Building Regulations you may need to install a fixed air vent to ensure adequate ventilation. Your Stove Buddy retailer or approved competent person of solid fuel installations will be able to advise on this.

Please note that all parts of these stoves, particularly the glass panel in the door, become extremely hot during operation and can result in serious injury and burns if touched. It is therefore recommended that a fireguard complying with the current version of BS 8423 is used in the presence of young children, the elderly or infirm.

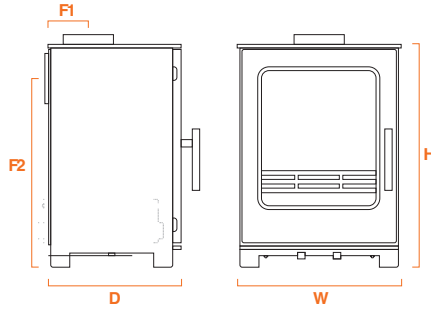
You can find more information regarding our products and also download installation instructions from www.stovebuddy.co.uk.



Scan for information

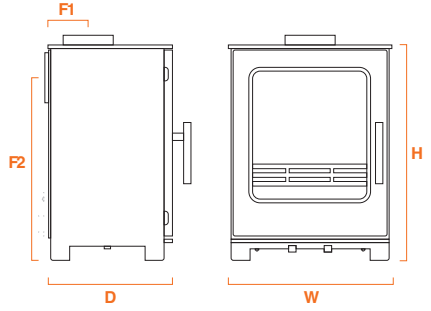
Dimensions

Classic 3



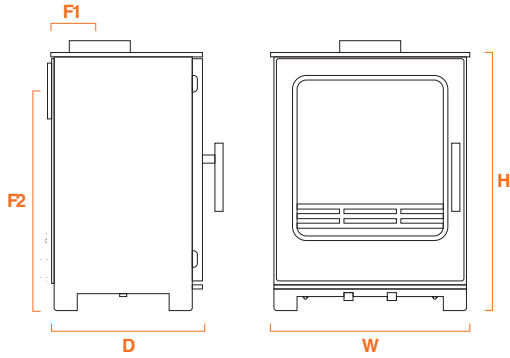
W 370mm D 315mm H 490mm F1 100mm F2 395mm

Classic 4



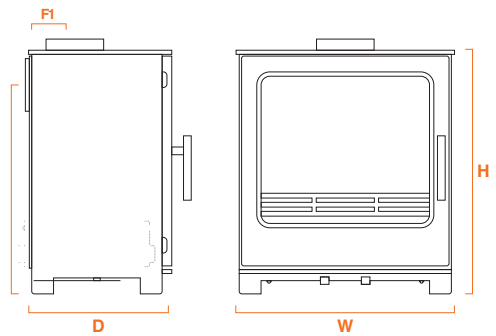
W 370mm D 275mm H 490mm F1 100mm F2 395mm

Classic 5



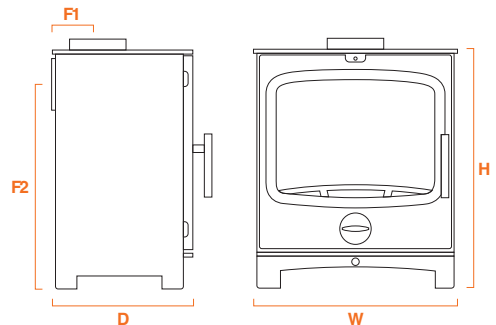
W 420mm D 330mm H 550mm F1 100mm F2 445mm

Classic 5 Wide



W 490mm D 330mm H 575mm F1 105mm F2 475mm

Stubby 5



W 430mm D 297mm H 495mm F1 100mm F2 390mm



01179 828 252

sales@stovebuddy.co.uk

stovebuddy.co.uk



Stove Buddy is a brand owned by:
MMF Bristol Ltd. Flue House, Portview Road, Avonmouth BS11 9LQ

The images of the stoves in this brochure are not intended to show real installations and are for visual representation only.

Stove Buddy pursue a policy of regular product improvement. Products supplied may therefore differ in specification from those illustrated, or described in this brochure; you should always confirm the final specification of the stove with your Retailer, or approved installer before purchase.

STOVE BUDDY RETAILER

Brochure Photography

All of the flame pictures shown in this brochure are taken from real fires. Please note however, that flame pictures will vary depending on the exact fuel used, flue conditions and surrounding geographical features. Given that building regulations are subject to change, some of the photography in this brochure may not comply with the requirements of the latest Building Regulations. You should always check your proposed installation arrangement with your approved competent person of solid fuel installations before proceeding and observe the minimum distance to combustible materials as stated in the installation instructions.

2nd Edition