

PUREVISION  N



HIGH DEFINITION STOVES

Charlton & Jenrick^{LTD}



Purevision **12 YEAR WARRANTY**

All Purevision HD stoves come with a 12-month parts and labour warranty, with the option of extending the parts warranty for a further eleven years if you fill in your warranty registration online within one month of purchasing your product, subject to terms and conditions. Please visit the website www.charltonandjenrick.co.uk for more details.

Introducing PUREVISION N

The Purevision™ HD range from Charlton & Jenrick comprises a wide range of models including freestanding, inset, classical, linear and continental-style pedestal stoves. They contain technologically advanced patented design features that result in superb clean-burning performance and thermal efficiency of up to 87.2%.

Emissions meet EU leading DIN+ levels and already achieve current emission and efficiency requirements for 2022 European Ecodesign standards. DEFRA exemption for wood-burning in a smokeless zone was a formality, with test results up to 97% below permitted levels of visible smoke. However, we have gone further than this with all of our stoves achieving the more stringent clearSkies Levels 4 or 5 certification standards.

Design parameters have been reset to produce a huge glass panel for fire viewing, with most stoves being available in black and silver paint finishes, the aesthetics of which blend seamlessly with traditional or modern rooms and fireplaces. The glass panel is kept clean by the extremely powerful airwash system.

Purevision™ HD is the result of Charlton & Jenrick's ongoing endeavours to improve the state of the art in wood-burning combustion chamber design. High Definition (HD) means an improved visual resolution over the previous standard and Purevision™ achieves this by harnessing the airwash and specialised tertiary air-profiling within the burn chamber for sharply defined flames and complete combustion.

**EXPERIENCE REAL LIVING FLAMES IN
HIGH DEFINITION WITH PUREVISION HD.**

Contents

- 6 Maximising the Potential of Your Stove
- 8 Purevision™ Active Baffle System

Purevision™ Active Baffle Stoves:

- 10 PV5/BPV5 stove
- 12 PV5W/BPV5W stove
- 14 PV5W/BPV5W slimline stove
- 16 PV5 Countryman
- 18 PV5W Countryman
- 20 PV85 stove
- 22 PV5i stove
- 24 PV5iW stove
- 26 CPV5W Classic stove
- 28 CPV5W Classic Slimline stove
- 30 PVR Cylinder stove on pedestal stands
- 32 PVR Cylinder stove on log stores
- 34 PVR Cylinder stove in inglenook
- 36 PVR square back hang-on-the-wall cylinder stove

Active
Baffle

Purevision™ Linear Wood Burning Stoves:

- 38 LPV5 Linear
- 40 LPV8 Linear

Active
Baffle

Purevision™ Hybrid Prism Baffle Stoves:

- 42 Purevision™ Heritage Hybrid Prism Baffle
- 44 HPV5 Heritage stove – curved door model
- 46 HPV5 Heritage stove – square door model
- 48 HPV5W Heritage stove – curved door model
- 50 HPV5W Heritage stove – square door model
- 52 Dimensions & Specifications
- 64 Performance data

Hybrid
Prism
Baffle



Emissions and Performance Scheme Explained

ClearSkies is the new objective & independent emissions and energy performance certification mark for solid fuel stoves and fireplaces.

Originally initiated through the Stove Industry Alliance (SIA) and now an independent organisation, clearSkies purpose is to drive the development of cleaner and more efficient appliances and is open to all manufacturers of solid fuel stoves and fireplaces. The clearSkies board is made up of industry professionals, including representatives of the SIA, consultants and academics specialising in air quality and bioenergy.

clearSkies levels – how they work:

ClearSkies appliances are awarded from entry level 2 up to a maximum of level 5 according to their emissions and UK DEFRA exemption status. All stoves of Level 3 and above

Scan the QR code for further details and our official product listings or visit: www.clearskiesmark.org/ ▶



also include UK DEFRA exemption for burning wood logs in smoke control areas.

Secure peace of mind – for today and tomorrow: All C&J stoves achieve a minimum of ClearSkies Level 4, and the vast majority achieve Level 5 to give you total peace of mind that you are investing in a state of the art wood burner with future proof performance. C&J are proud to have been amongst the founder members of the clearSkies scheme.

Tertiary Air

Our patented tertiary air-profiling system delivers the clean combustion and high efficiency required to meet or exceed the 2022 European Ecodesign Directive. Every Purevision model uses this patented tertiary air profiling technology within the burn chamber, creating sharply defined flames and complete combustion. The patented tertiary air inlet system allows for rapid lighting and clean burning with minimal emissions.

Airwash

Powerful airwash that aids the clean burning of the stove to produce the High Definition (HD) flame picture. This unique air control system provides automatic air distribution from a simple single lever burning control to keep the glass clean and maintain the clear view of the flame picture.

This and all the other features on our Purevision stoves combine to help us achieve clearSkies level 4 or 5 certification levels, exceeding the minimum requirements set by the Ecodesign 2022 regulations.



The SIA (Stove Industry Alliance) used the services of a research company, Kiwa Gastec, whose report shows that modern clean burning Ecodesign stoves, including those in the Purevision range, can reduce particulate emissions by up to 90% compared to an open fire, and 80-84% compared to an old stove.

This finding is so important that SIA have begun an 'Ecodesign Ready' labelling scheme to promote stoves meeting the efficiency and emissions regulations early. Since 2017, the industry's main manufacturers, including Charlton & Jenrick, have ensured that all newly designed wood burning stove models meet European environmental standards for particulate emissions.

Charlton & Jenrick invested in the design and development of the Purevision range of Ecodesign Ready stoves as long ago as 2013 to prepare for future tightening of regulations, with all stoves released from 2017 onwards meeting this certification criteria.

In doing so, new combustion optimisation ideas and techniques were perfected, resulting in a patent covering the tertiary air inlet system and several other innovations which were added within the products.

You can buy, safe in the knowledge that all the Purevision stoves you see in this brochure are certified SIA Ecodesign Ready and Sia Defra Exempt for Wood Burning in Smokeless Zones, as well as meeting the more stringent Clearskies certifications.

Maximising the Potential of Your Stove

Refuelling Your Fire

Place the logs into the centre of the fire, away from the rear, sides, and glass. This helps keep the glass and liners clean and enhances the flame picture as the fire is centralised.

Use your stove gloves when operating the door handle, air controls of your stove, and placing logs into the fire. The gloves are designed to protect your hand for long enough to carefully place the log and avoid bumping the back and side bricks.



The Right Type of Wood

The best fuel for stoves is hardwood logs with no more than 20% moisture content for the best burn.

Kiln dried or seasoned work equally as well, but they must be seasoned long enough to achieve low moisture levels.

Why Dry Wood?

Dry wood produces less smoke and more heat, and so is much cleaner and better for the environment.

Having a too high-water percentage will increase pollution, produce a poor level of heat output and cause tar to form in your chimney.



Negatives of Solid Fuel

- Potential to crystallise the glass
- Damaging the stove through corrosion
- Replacement spares will be required to be purchased more often
- Potential liner damage
- Shortens the life expectancy of the appliance.

Fuels Not to Use

- House Coal
- Painted or Preserved Wood
- Newspaper and Card
- Wet Wood
- Pallet Wood.

Storing Your Firewood

You should store wood in a well vented, dry area that is away from the rain, this is because rain will eventually rot the wood.

You should always stack your firewood because this will help promote air circulation.

You must avoid storing firewood on a soil floor if outside, as the soil will rot the wood.

If you are cutting your own logs for firewood, store them in a dry area, and allow them to dry for at least 12 months, but for wood like oak this can be as long as 24 months.

How Much Do I Need?

If you are going to use your stove on most evenings and at weekends from October to April, then 3 to 4 cubic meters per year is typical for most UK households.



Maintaining Your stove

Cleaning the Glass on Your Stove

Use a specialist stove glass cleaner or newspaper dipped in vinegar to clean your glass. Never use an abrasive cloth or substance to clean the glass.

Having Your Chimney Swept

You should have your chimney swept on a regular basis during the months it is in use. Having your chimney swept on a regular basis can help reduce acid corrosion.

Clean Your Stove Accessories

It's not all just about your stove. Your various stove accessories also take a bit of bashing during regular use. Make sure to clean them to keep them in good working order.



Scan the QR code to see more in our complete stove guide ►



Purevision™ Active Baffle System

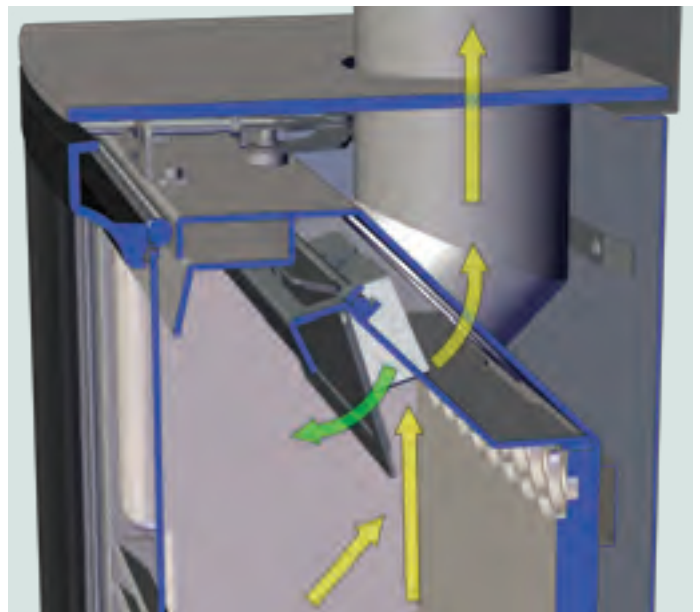
To enhance user experience and product adaptability, a truly new and unique innovation has been introduced by Charlton & Jenrick across the Purevision stove range. Our active baffle system helps to reduce any possible user frustration when starting up or refuelling the stove by allowing free entry flue flow when required but automatically restoring ideal firebox conditions during normal running.

On a cold crisp winter afternoon, there is nothing better than lighting up your wood stove and enjoying the glow of relaxing warmth around the fire as the evening draws in. Stop and think for a minute then of the column of cold, dense, static air that can form within an external flue system when still conditions and freezing temperatures cause equalisation inside and outside the duct. Chimneys only work by warm, less dense air rising within, thereby drawing in replacement air through the stove at the base. If there is no heat in the internal static air column and the density remains the same, then it simply will not move until pushed out. Lighting any stove can be difficult and slow in that situation because all highly efficient modern stoves reject less waste heat up into the flue, resulting in sluggish start-up with more smoke and emissions produced than desired.



Purevision Active Baffle Lever Settings

Overcoming this flue flow inertia in difficult conditions was once the preserve of dedicated skill, technique and initiative obtained by years of operational practice. Now though, it has never been easier and simpler than using the new Purevision active baffle system. If conditions require it, simply switch the control lever into the Ignition position to open a dedicated through-flow channel, allowing initiation heat straight into the flue pipe for rapid gas acceleration. Once up and running with an established fire bed, switching back to the Automatic position allows the flue channel to open when the door is opened, assisting rapid evacuation of fresh fuel gases when refuelling.

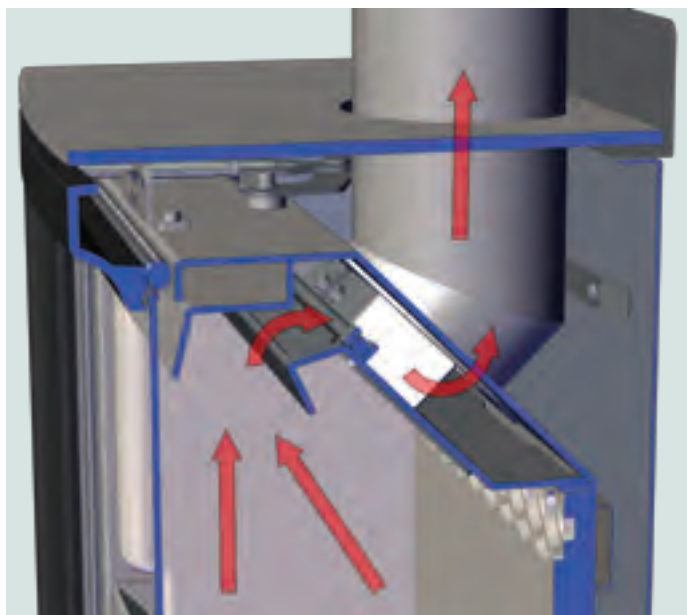


Baffle open – start-up flow

Once the door is closed again, firebox gas flow conditions are restored to optimal by the lever mechanism, allowing high thermal efficiency and complete combustion to be achieved. Should the facility not be required once the flue system is warm then the operating lever can be placed into the Closed position, returning the baffle to a static condition until active operation is next required.

Deliberately heavily manufactured in high grade tough and thick stainless steel, the system has been designed to be easy to maintain and have a durable lifetime. Simple practicalities of sweeping and cleaning have not been overlooked either, the unit being sensibly engineered to ensure that service access, such as

removing the baffle plate and other firebox items, does not require any tools. Considerable thought and design intent has also gone into easy set up and adjustment. A spring retracting solid stainless steel roller mechanism propels the baffle channel from open to closed and is easily adjustable with a single thread provided at the top of the firebox. The C&J active baffle system is supplied as standard on all Purevision stoves except Heritage models, both freestanding and inset.



Baffle closed – normal running

With recent growth in the installation of new wood-burning stoves and additional external flue systems into properties, this innovation is sure to return dividends wherever temperature equalisation or resistance to start-up flue flow is likely to occur. Even in properties where any difficulty is very unlikely to occur, why compromise and go without this bespoke facility when it is available right across the broad Purevision range? High performance has become more commonplace with Ecodesign Ready stoves but easy operation, flexibility, adaptability and innovative solutions still need to be sought out – Purevision’s active baffle system provides all of that and much more.

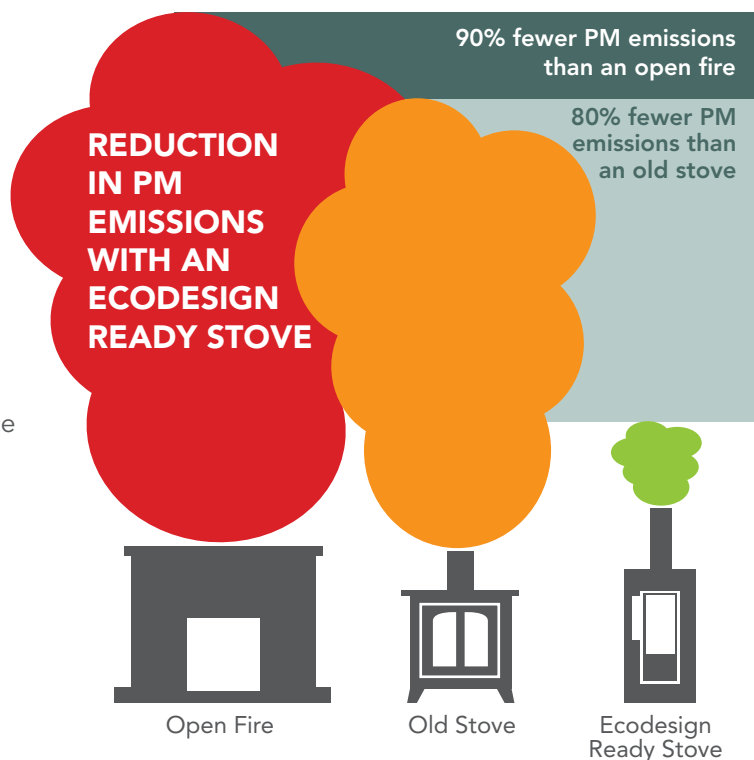
Scan the QR Code to see how the Active Baffle works and enables the smooth operation of the stove ▶



This technology has enabled us to meet all current legislation including EcoDesign 2022, clearSkies certification, and all C&J Stoves are DEFRA exempt for burning wood logs in smoke control areas.

SIA Ecodesign 2022 stoves are extremely efficient in comparison to older stoves as the infographic below from the Stove Industry Alliance demonstrates.

ClearSkies is the objective and independent emissions and energy performance certification scheme for solid fuel stoves.





PV5 Freestanding stove shown on midi log store in an inglenook

Purevision™ PV5 multi-fuel stove

Stylishly elegant 5kW stove with a large glass window for optimal viewing of the high definition flames.

- Powerful airwash that aids the clean burning of the stove to produce the High Definition (HD) flame picture
- Optional external air kit for direct connection to the outside, potentially eliminating the need for fixed exterior ventilators in houses built after 2008
- Unique active baffle system for fast start-up and easier refuelling
- High-quality cast ceramic firebox liners that are self-cleaning, hardwearing and extremely attractive
- DEFRA exemption for burning wood logs in smokeless zones
- Full multi-fuel capability as standard
- Optional stands or log stores
- Full-sized cast iron door
- Available in a choice of grey or black paint finish
- All Purevision models are DEFRA Exempt for wood-burning in smoke control zones
- 3.1-6kW operating range.



PV5 Freestanding stove



PV5 on short stand



BPV5 on low stand



PV5 on short log store



PV5 on midi log store

Purevision™ PV5W multi-fuel stove

A stunning panoramic 5kW wide stove that shares all the features of the PV5 with the additional benefits of accepting longer logs and greater fuel volumes.

- Modern graphite grey or black paintwork
- Patented tertiary air-profiling system, which delivers the clean combustion and high efficiency required to meet clearSkies level 5 certification
- Stainless steel bar handle, which is cooler to the touch and easy to use
- Heavy-duty stainless steel operating tool and stand for ease of use and attractive appearance
- Top and rear flue connection provides more flexibility when installing the stove
- Optional stands or log stores available
- Unique active baffle system for fast start-up and easier refuelling
- 3.8-8kW operating range.



PV5W Freestanding stove shown on short stand



PV5W Freestanding stove



PV5W on short stand



BPV5W on low stand



PV5W on short log store



PV5W on midi log store





Active
Baffle



BPV5W Black freestanding stove on short stand shown in Berrington limestone surround with rustic brick liners



PV5W Slimline
Freestanding stove



PV5W Slimline
on short stand



PV5W Slimline
on short log store



PV5W Slimline stove shown on a short stand in an inglenook



BPV5W Black slimline stove shown on a short log store

Purevision™ PV5W Slimline multi-fuel stove

The PV5W Slimline is a stove with the same width and large glass viewing area as the PV5W on the previous page but with a shallower depth. This depth allows the stove to be located in the vast majority of UK fireplace openings. Being wide, the stove benefits from being able to accept longer logs for greater fuel volumes.

- High-quality, hardwearing and self-cleaning ceramic firebox liners
- DEFRA exemption for burning wood logs in smokeless zones, and Clearskies Level 4 certified
- Full-sized cast iron door
- Available in a choice of grey or black paint finish
- Optional short stand or log store available
- Heat output operating range 3.8-6.5kW.



PV5 Countryman Freestanding stove shown on low stand in an inglenook



PV5 Countryman on low stand



Purevision™ PV5 Countryman

A new addition to the highly successful Purevision line-up, this 5kW stove features a modern take on a classic design, looking as at home in a farmhouse inglenook as it does in a newly built town house.

- Powerful airwash that aids the clean burning of the stove to produce the High Definition (HD) flame picture
- New Countryman Style door for 2022
- Optional external air kit for direct connection to the outside, potentially eliminating the need for fixed exterior ventilators in houses built after 2008
- Patented tertiary air-profiling system, which delivers the clean combustion and high efficiency required to exceed the 2022 European Ecodesign Directive, achieving the Clearskies Level 5 certification
- Unique active baffle system for fast start-up and easier refuelling
- High-quality cast ceramic firebox liners that are self-cleaning, hardwearing and extremely attractive
- DEFRA exemption for burning wood logs in smokeless zones
- Full multi-fuel capability as standard
- Optional stand accessory gives the stove added presence
- Full-sized cast iron door
- 3.1-6kW operating range.



PV5W Countryman on low stand

Purevision™ PV5W Countryman multi-fuel stove

A wider version of the new Purevision Countryman 5kW range offering a panoramic view of the flames within, this versatile design will complement traditionally styled or contemporary interiors alike.

- Powerful airwash that aids the clean burning of the stove to produce the High Definition (HD) flame picture
- Patented tertiary air-profiling system, which delivers the clean combustion and high efficiency required to exceed the 2022 European Ecodesign Directive, achieving the Clearskies Level 5 certification
- DEFRA exemption for burning wood logs in smokeless zones
- New Countryman Style door for 2022
- Stainless steel bar handle, which is cooler to the touch and easy to use
- Heavy-duty stainless steel operating tool and stand for ease of use and attractive appearance
- Top and rear flue connection provides more flexibility when installing the stove
- Optional stand accessory gives the stove added presence
- Unique active baffle system for fast start-up and easier refuelling
- Optional external air kit for direct connection to the outside, potentially eliminating the need for fixed exterior ventilators in houses built after 2008
- Full multi-fuel capability as standard
- 3.8-8kW operating range.





PV5W Countryman Freestanding stove shown on low stand in an inglenook

Purevision™ PV85 multi-fuel stove

The largest in the range, this stove offers our biggest fuel volume capacity and heat output for very large rooms and those who need a lot of heat.

- Huge glass window offers the best possible view of the High Definition fire picture
- Adjustable feet, as fitted on all our freestanding models, facilitate installation on uneven surfaces
- All our freestanding models require only a 12mm superimposed hearth extending underneath and 230mm in front of the stove
- 4.9-10kW operating range
- Stainless steel single air control lever not only looks fantastic but is cool to the touch, discreetly positioned and very easy to use
- Optional external air kit for direct connection to the outside, potentially eliminating the need for fixed exterior ventilators in the room
- Future-proof performance meets the 2022 European Ecodesign Directive, achieving the clearSkies level 4 certification.



PV85 Freestanding stove shown in an inglenook



PV85 Freestanding stove



PV85 on short stand



PV85 on short log store



PV85 on midi log store



Active
Baffle



PV85 stove on a midi log store



PV5i 3 sided



PV5i 4 sided

Purevision™ PV5i multi-fuel stove

Based on the standard PV5 freestanding stove, this inset model shares identical visual and performance features. This means you get the same window size, performance and features as you would with the freestanding model.

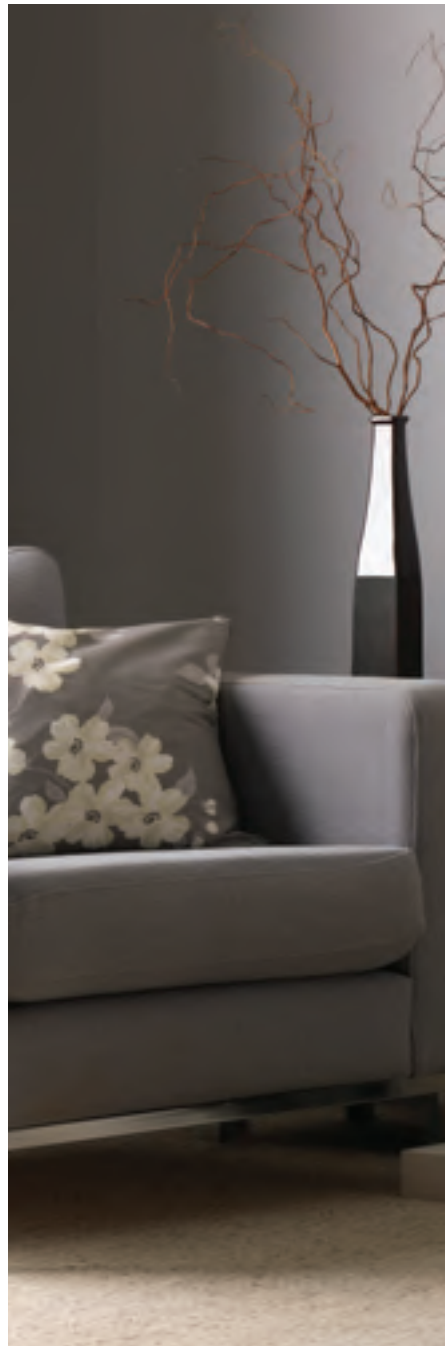
- Clean aesthetic design that enables the stove to blend seamlessly with traditional or modern room and fireplace designs
- Unique air control system that provides automatic air distribution from a simple single-lever burning control
- 3.1-6kW operating range
- Powerful airwash that assists the clean burning of the stove in producing the High Definition (HD) flame picture
- DEFRA exemption for burning wood logs in smokeless zones
- Full multi-fuel capacity as standard
- Identical door design to the freestanding version.



PV5i 4 sided inset stove shown set into wall



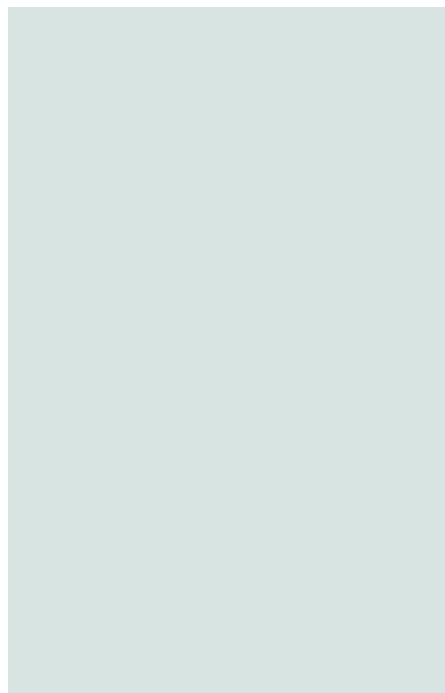




PV5iW 3 sided



PV5iW 4 sided





Active Baffle

PV5iW Inset stove shown in Aylesbury limestone surround

Purevision™ PV5iW multi-fuel stove

This stove is a larger version of the PV5i. It offers all the same attributes but gives a larger viewing window and fuel capacity, making it ideal for the larger living space.

- Super high-quality cast ceramic firebox liners offer superior appearance and durability with self-cleaning characteristics
- Optimal top flue connection on all our inset models facilitates installation where lintels may obstruct other stoves
- Reduced clearances of 100mm from the legs of existing wooden surrounds as standard and 275mm from a wood mantel when using the optional deflector shield
- Full multi-fuel capability as standard, so no kits or adaptors needed for burning smokeless fuels
- 3.8-8kW operating range.



CPV5W Freestanding stove shown in a Stapleton limestone surround with rustic brick liners

Purevision™ CPV5W Classic multi-fuel stove

Stylish and elegant with classical looks, the CPV5W is a solid, heavy-duty stove with a huge glass fire viewing window for optimal viewing of flames. The larger CPV5W retains a nominal output of 5kW, but provides a wider operating range, making it ideal for larger living spaces.

- Heavy-duty stainless steel operating tool and stand for ease of use and attractive appearance
- High-quality cast iron top plate, top blanking plate for rear flue connections and base unit (pre-fitted) with adjustable feet for levelling, providing flexibility when installing the stove
- 3.8-8kW operating range
- Reduced clearances to combustibles using the included heat shield and twin firebox construction
- Optional external air kit for direct connection to the outside
- High-quality ceramic firebox liners that are self-cleaning, hardwearing and very attractive
- DEFRA exemption for burning wood logs in smokeless zones
- Full multi-fuel capacity as standard, so no kits or adaptors needed for burning smokeless fuels
- Innovative active baffle system for flexibility and ease of use.



CPV5W Freestanding stove

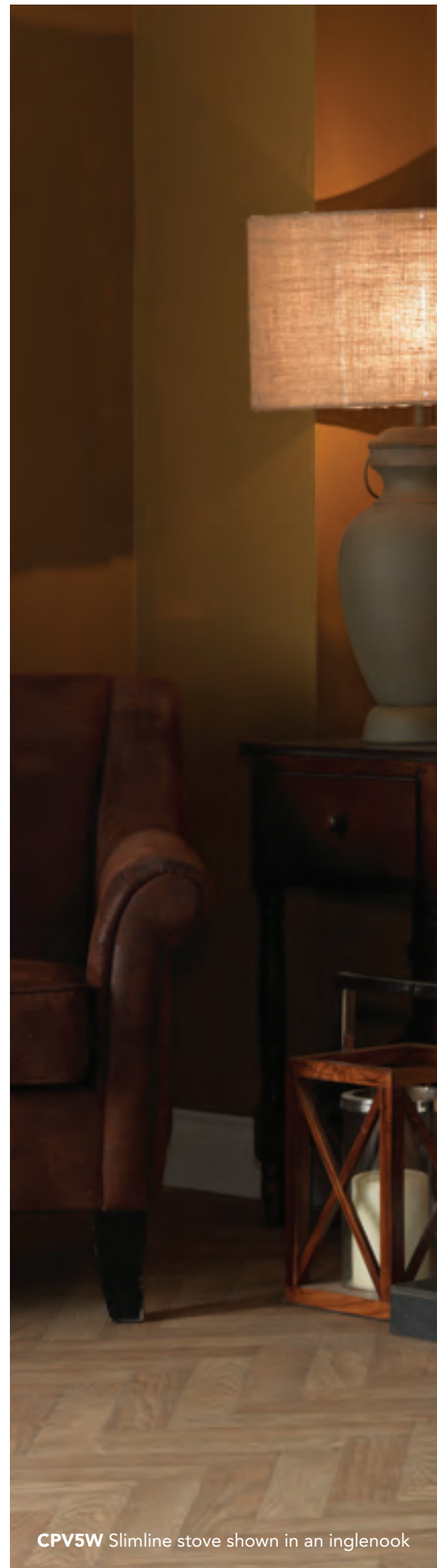


CPV5W Slimline stove

Purevision™ CPV5W Classic Slimline multi-fuel stove

This model is a wide Classic stove with a wide, large viewing glass window like the CPV5W but is shallower in depth and slightly shorter. These slightly reduced dimensions mean the stove is able to fit into more situations whilst still offering the same performance and look.

- High-quality cast iron top plate and top blanking plate for rear flue connections
- The base unit is pre-fitted to the stove and comes with adjustable feet for levelling
- High-quality ceramic firebox liners that are self-cleaning, hardwearing and attractive
- Future-proof performance meets the 2022 European Ecodesign certification, and the clearSkies Level 4 certification
- Innovative active baffle system for flexibility and ease of use
- Available in black paint finish
- 3.8-6.5kW operating range.



CPV5W Slimline stove shown in an inglenook



Active
Baffle



Purevision™

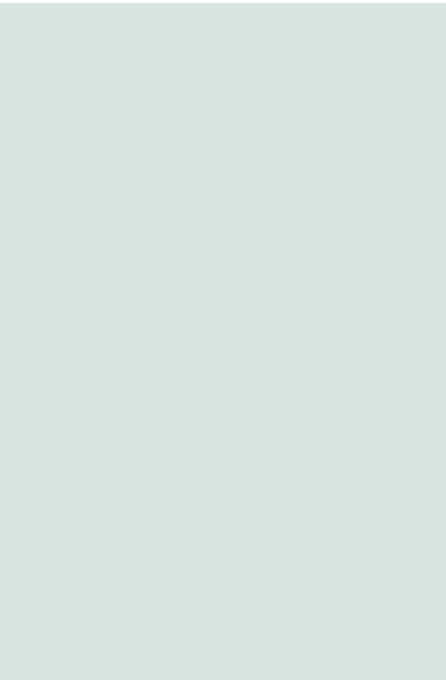
PVR Cylinder multi-fuel stove on pedestal stands

For that stylish continental look there is a choice of a high and low pedestal stand for the PVR Cylinder stove.

- Up to 180 degree panoramic ceramic glass window for unbeatable fire view
- 100% unrestricted fire view with no side window pillars, see the fire from all around when fitted against a flat wall – no need for swivelling base or flue connector
- Powerful fully pre-heated air wash system
- Available in a choice of grey or black finish
- 70mm rear clearance from combustibles
- 200mm side clearance for combustible corner installations
- Cast iron fire base plate for wood burning included
- Stainless steel ash rake included
- Boost position for rapid reignition after refuel
- Multi-fuel cast iron bar grate included
- 3.2-6.8kW operating range.



PVR Cylinder stove on low pedestal



Active
Baffle

Black PVR Cylinder stove on high pedestal





PVR Cylinder stove on high log store with heat exchanger



PVR Cylinder stove on high log store without door



Black PVR Cylinder stove on low log store with door

Purevision™ PVR Cylinder multi-fuel stove on log stores

- Extra-wide door opening for cleaning and servicing firebox access
- Low emissions below 2022 Ecodesign requirements for both fuels, achieving the more stringent clearSkies Level 5 certification standard
- DEFRA exempt to burn wood logs in smokeless zones
- 5kW nominal output with approximate operating range from 3.2-6.8kW
- Cool touch solid stainless steel handle
- Available in a choice of grey or black finish
- Easy reach option to use multi tool to extend door handle
- Solid heavy-duty stainless steel multi tool and laser-profiled stand included
- High-quality stove gloves provided
- Schott Robax™ curved ceramic glass panel
- Choice of high or low log store with optional doors.

Purevision™ PVR Cylinder multi-fuel stove in inglenook

Shown here is the hearth-mounted option for maximum flexibility. Offering the same unique panoramic view as the other PVR stoves, it can also be hearth mounted, making it very versatile in where the stove can be installed.

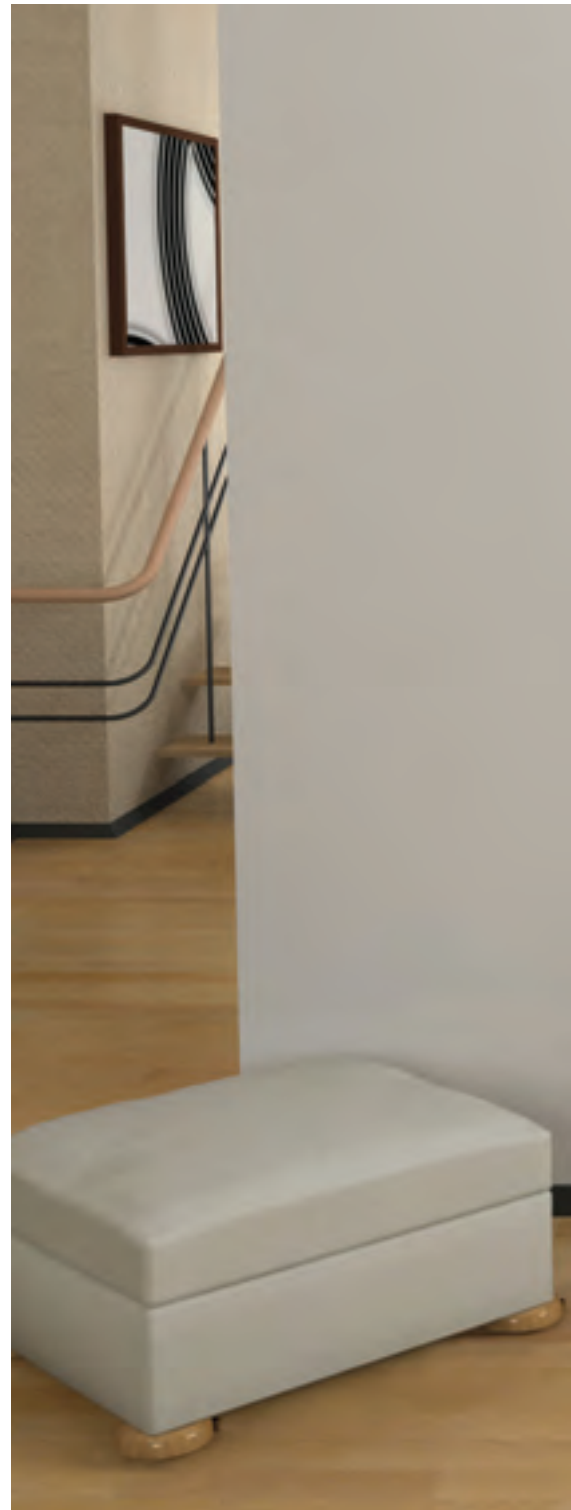
- Automatic door latch for effortless secure closure of door
- Huge panoramic window height and width to enjoy the full flame picture
- DEFRA exemption for burning wood logs in smokeless zones
- Multi-fuel capable for optional smokeless fuel use
- External air kit option for 100% external air intake
- Rear or base external air connection options
- Contemporary graphite grey metallic or black high-temperature finish
- Single air control for all operations
- Heavy-duty engineering and seam welded laser profile construction
- Stainless steel 'shovel' ash pan solution
- 3.2-6.8kW operating range.





Active
Baffle

Black PVR Cylinder stove (Engine Only) in an inglenook





PVR square back hang-on-the-wall cylinder stove

Purevision™ PVR square back hang-on-the-wall cylinder multi-fuel stove

- Wall-mounting version compatible with combustible/timber wall constructions
- Unique active baffle solution for fast light-up and easier refuelling
- Long-life baffle assembly constructed in solid laser-profiled stainless steel
- 5" flue connection for maximum installation flexibility
- Available in grey
- Patented tertiary air system for rapid light off, clean burning with minimal emissions
- High-quality micro-detailed, self-cleaning cast ceramic firebox liners
- SIA Ecodesign Ready verified, also achieving the clearSkies level 5 certification
- Range meets the strictest EU emissions control levels
- 3.2-6.8kW operating range.

Purevision™ LPV5 Linear wood-burning stove

Featuring a modern, continental design the Purevision LPV5 Linear stove is the perfect addition to any modern interior. Three sides of glass enhance the viewing angles of the flames, creating a more relaxing viewing experience.

- Powerful airwash that aids the clean burning of the stove to produce the High Definition (HD) flame picture
- Patented tertiary air-profiling system, which delivers the clean combustion and high efficiency required to exceed the 2022 European Ecodesign Directive, achieving the Clearskies Level 5 certification
- Heavy-duty stainless steel operating tool and stand for ease of use and attractive appearance
- Top and rear flue connection provides more flexibility when installing the stove
- DEFRA exemption for burning wood logs in smokeless zones
- Unique active baffle system for fast start-up and easier refuelling
- Optional external air kit for direct connection to the outside, potentially eliminating the need for fixed exterior ventilators in houses built after 2008
- Wood-burning only
- Compatible with log store, leg stand, pedestal, wall mounting plate and pedestal stand with soft close draw
- 3.8-7.1kW operating range.



LPV5 Linear Stove wall mounted using Wall Mounting Plate



Scan this QR Code to see the LPV5 Linear in action ▶



LPV5 Linear Stove



Active Baffle

Wood Burning



LPV5 Linear on Pedestal stand



LPV5 Linear Stove on Leg Stand



LPV5 Linear Stove on Pedestal Stand



LPV5 Linear Stove on Log Store

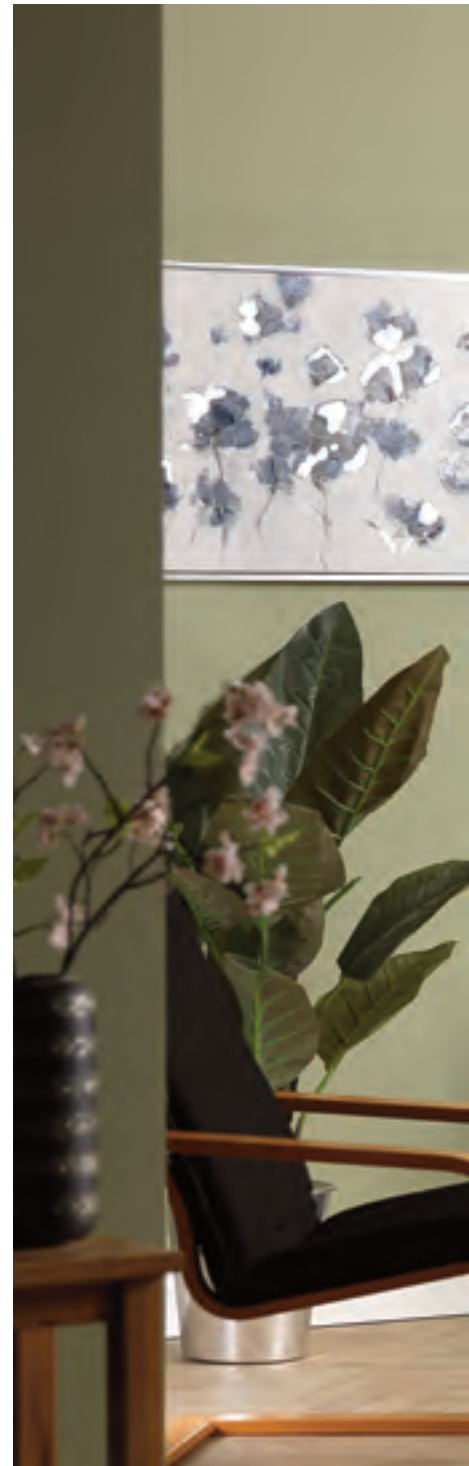


LPV5 Linear Stove on Wall Mounting Plate

Purevision™ LPV8 Linear wood-burning stove

The Purevision Linear LPV8 creates a modern focal point and sense of occasion for any setting, with three sides of glass giving you a panoramic view of the flames from all angles. It can also be combined with leg stands, log stores, pedestal stands, and wall mounting bracket accessories to tailor the stove to your tastes.

- Powerful airwash that aids the clean burning of the stove to produce the High Definition (HD) flame picture
- Patented tertiary air-profiling system, which delivers the clean combustion and high efficiency required to exceed the 2022 European Ecodesign Directive, achieving the Clearskies Level 4 certification
- Heavy-duty stainless steel operating tool and stand for ease of use and attractive appearance
- Top and rear flue connection provides more flexibility when installing the stove
- Compatible with log store, leg stand, wall mounting plate and pedestal stand with soft close draw
- Unique active baffle system for fast start-up and easier refuelling
- Optional external air kit for direct connection to the outside, potentially eliminating the need for fixed exterior ventilators in houses built after 2008
- Wood-burning only
- 5-9.9kW operating range.



LPV8 Linear Stove



Active Baffle

Wood Burning



LPV8 Linear Stove on Leg Stand



LPV8 Linear Stove on Leg Stand



LPV8 Linear Stove on Pedestal Stand



LPV8 Linear Stove on Log Store



LPV8 Linear Stove on Wall Mounting Plate

Purevision™ Heritage Hybrid Prism Baffle

The Charlton & Jenrick Hybrid Prism Baffle is a unique in-house developed system that enables greater combustion performance and efficiency, specifically designed for our Purevision Heritage range. The benefits of this system go much further than purely efficiency, with it being a leading contributor to producing the High Definition (HD) flame picture of the Purevision Heritage range.

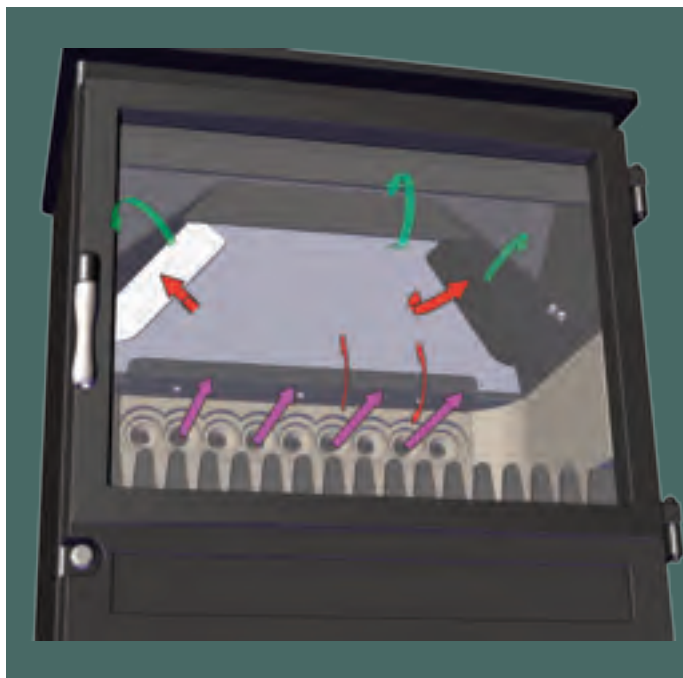
On a cold winter's night, there is nothing better than sitting in front of a wood burning stove, enjoying the warmth and the flames inside. However, such nights can starve the chimney of the warm, less dense air that draws air through the stove at the base. This can make starting a stove in these conditions challenging, with more smoke and emissions produced than desired.

Constructed from durable stainless steel with heat reflective insulation incorporated into the design, this baffle is built to last most of the lifetime of your Purevision Heritage Stove. This design works on the principle of helping the products of combustion dissipate up the chimney when the door is opened, ensuring minimal heat loss and increased efficiency.

After thorough and careful testing, a tapered prism design was created and developed to funnel waste gasses up the chimney when the door is opened and aerodynamically circulate gas flows when closed.

Once the door is closed optimum combustion is achieved by directing the hot gases to mix thoroughly with oxygen coming from our tertiary air system, creating more complete combustion, and allowing more heat to be produced for lower emissions and enabling logs to last longer than a stove without an advanced baffle.

This is highlighted in the diagram on the above, with the purple arrows showing the incoming Tertiary air, the red arrows showing the waste gases and the



Purevision Heritage Airflow Diagram

air mixing in the combustion chamber, and the green showing the products of combustion leaving the combustion zone.

This technology has enabled us to meet all current and future legislation including Eco Design 2022, ClearSkies Certification, and easily achieve DEFRA exemption for burning wood logs in smoke control areas.

SIA Ecodesign 2022 stoves are extremely efficient in comparison to older stoves, producing 90% fewer particulate matter emissions than an open fire and 80% fewer particulate matter emissions than an old stove.

ClearSkies is the objective and independent emissions and energy performance certification scheme for solid fuel stoves, which was initiated by the Stove Industry Alliance and is now independently run. All our Purevision Heritage stoves achieve ClearSkies level 5, meaning they are at least 30% more combustion efficient than the EcoDesign 2022 regulations currently require.

Purevision™ Heritage Accessories

Unique to this stove range

The Purevision Heritage stove range comes with a range of accessories that are unique to this range and allow you to personalise your stove to your tastes and home.



50mm legs



75mm legs



100mm legs



Canopy

As well as the following options



Log Store



Square Door



Curved Door

Purevision™ HPV5 Heritage multi-fuel stove Curved Door Model

Traditionally styled 5kW stove with a large glass window for optimal viewing of the high definition flames. The full sized, cast iron door has a choice of curved or square styling (square shown on page 46). Available in black with a choice of 3 different leg heights.

- Powerful airwash that aids the clean burning of the stove to produce the High Definition (HD) flame picture
- Optional external air kit for direct connection to the outside, potentially eliminating the need for fixed exterior ventilators in houses built after 2008
- Unique in-house developed hybrid prism baffle system
- High-quality cast ceramic firebox liners that are self-cleaning, hardwearing and extremely attractive
- DEFRA exemption for burning wood logs in smokeless zones
- Full multi-fuel capability as standard
- Optional log stores
- Full-sized cast iron door with curved or square door styling choice
- Choice of 3 leg heights
- Available in black paint finish
- 3.9-7.1kW operating range.



HPV5 with curved door on 75mm legs shown in Berrington limestone surround



HPV5 curved on 50mm legs



HPV5 curved on 75mm legs



HPV5 curved on 100mm legs



HPV5 curved on 50mm legs with canopy



Hybrid
Prism
Baffle

HPV5 with curved door and canopy on 50mm legs shown in an inglenook



HPV5 curved on 75mm legs with canopy



HPV5 curved on 100mm legs with canopy



HPV5 curved on log store



HPV5 curved on log store with canopy

Purevision™ HPV5 Heritage multi-fuel stove Square Door Model

Traditionally styled 5kW stove with a large glass window for optimal viewing of the high definition flames. The full sized, cast iron door has a choice of curved or square styling (curved shown on page 44). Available in black with a choice of 3 different leg heights.

- Powerful airwash that aids the clean burning of the stove to produce the High Definition (HD) flame picture
- Optional external air kit for direct connection to the outside, potentially eliminating the need for fixed exterior ventilators in houses built after 2008
- Unique in-house developed hybrid prism baffle system
- High-quality cast ceramic firebox liners that are self-cleaning, hardwearing and extremely attractive
- DEFRA exemption for burning wood logs in smokeless zones
- Full multi-fuel capability as standard
- Optional log stores
- Full-sized cast iron door with curved or square door styling choice
- Choice of 3 leg heights
- Available in black paint finish
- 3.9-7.1kW operating range.



HPV5 with square door and canopy on 50mm legs shown in an inglenook



HPV5 Square on 50mm legs



HPV5 Square 75mm legs



HPV5 Square on 100mm legs



HPV5 Square on 50mm legs with canopy



Hybrid
Prism
Baffle



HPV5 with square door on 75mm legs shown in Berrington limestone surround



HPV5 Square on 75mm legs with canopy



HPV5 Square on 100mm legs with canopy



HPV5 Square on log store



HPV5 Square on log store with canopy

Purevision™ HPV5W Heritage multi-fuel stove Curved Door Model

The HPV5 Wide is a traditionally styled 5kW wide stove with an expansive glass window for optimal viewing of the high definition flames. The extra-wide cast iron door has a choice of curved or square styling (square shown on page 50). Available in black with a choice of 3 different leg heights.

- Powerful airwash that aids the clean burning of the stove to produce the High-Definition (HD) flame picture
- Optional external air kit for direct connection to the outside, potentially eliminating the need for fixed exterior ventilators in houses built after 2008
- Unique in-house developed hybrid prism baffle system
- High-quality cast ceramic firebox liners that are self-cleaning, hardwearing and extremely attractive
- DEFRA exemption for burning wood logs in smokeless zones
- Full multi-fuel capability as standard
- Optional log stores
- Full-sized cast iron door with curved or square door styling choice
- Choice of 3 leg heights
- 3.9-7.5kW operating range.



Scan the QR Code to see Purevision™ HPV5W Heritage multi-fuel stove in action ▶



HPV5W curved on 50mm legs



HPV5W curved on 75mm legs



HPV5W curved on 100mm legs



HPV5W curved on 50mm legs with canopy



Hybrid
Prism
Baffle



HPV5W with curved door and canopy on 100mm legs shown in an inglenook



HPV5W curved on 75mm legs with canopy



HPV5W curved on 100mm legs with canopy



HPV5W curved on log store



HPV5W curved on log store with canopy

Purevision™ HPV5W Heritage multi-fuel stove Square Door Model

The HPV5 Wide is a traditionally styled 5kW wide stove with an expansive glass window for optimal viewing of the high definition flames. The extra-wide, cast iron door has a choice of curved or square styling (curved shown on page 48). Available in black with a choice of 3 different leg heights.

- Powerful airwash that aids the clean burning of the stove to produce the High Definition (HD) flame picture
- Optional external air kit for direct connection to the outside, potentially eliminating the need for fixed exterior ventilators in houses built after 2008
- Unique in-house developed hybrid prism baffle system
- High-quality cast ceramic firebox liners that are self-cleaning, hardwearing and extremely attractive
- DEFRA exemption for burning wood logs in smokeless zones
- Full multi-fuel capability as standard
- Optional log stores
- Full-sized cast iron door with curved or square door styling choice
- Choice of 3 leg heights
- 3.9-7.5kW operating range.



HPV5W with square door on 100mm legs



HPV5W Square on 50mm legs



HPV5W Square on 75mm legs



HPV5W Square on 100mm legs



HPV5W Square on 50mm legs with canopy



Hybrid
Prism
Baffle



HPV5W with square door and canopy on 100mm legs shown in an inglenook



HPV5W Square on 75mm legs with canopy



HPV5W Square on 100mm legs with canopy

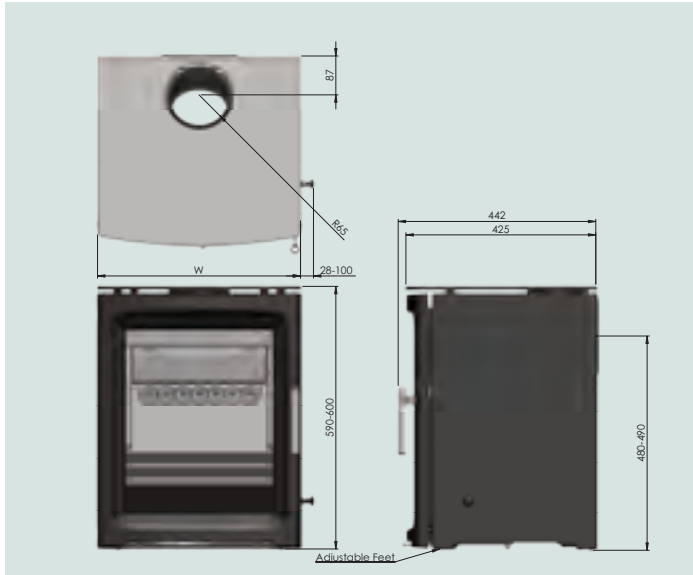


HPV5W Square on log store

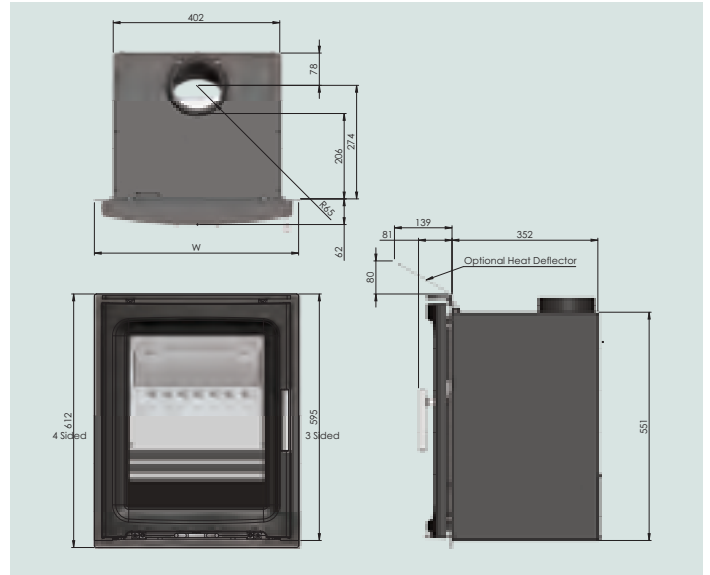


HPV5W Square on log store with canopy

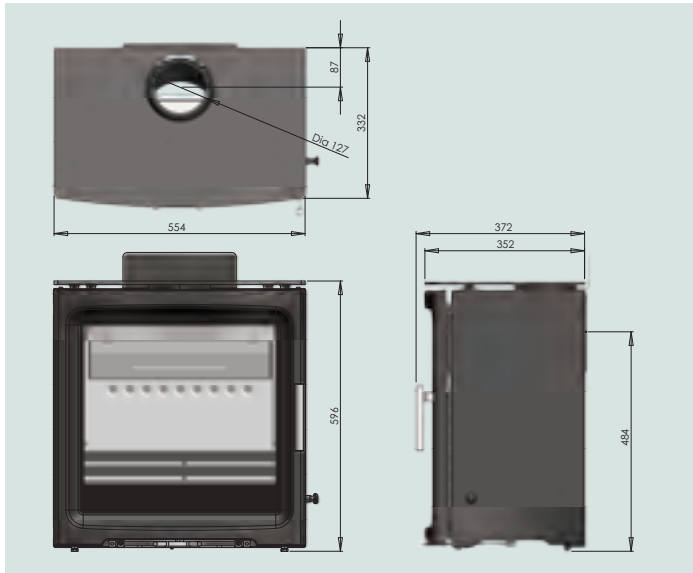
Purevision™ Stove Dimensions



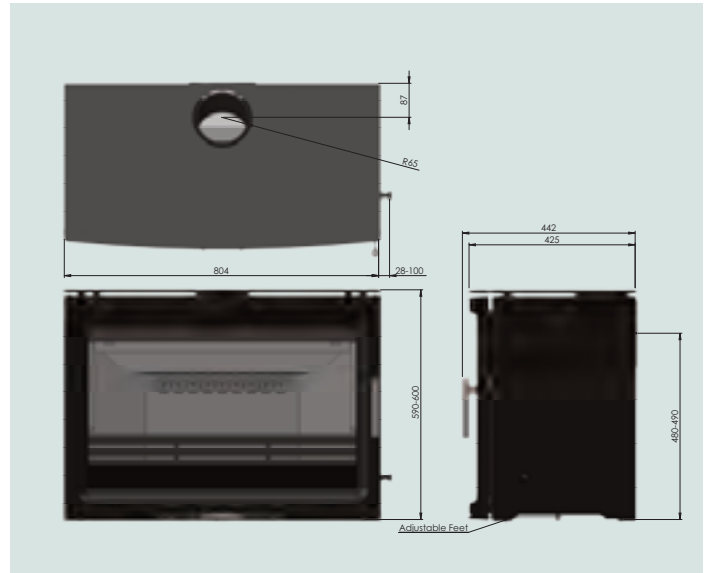
PV5/BPV5 W=454mm **PV5W/BPV5W** W=554mm



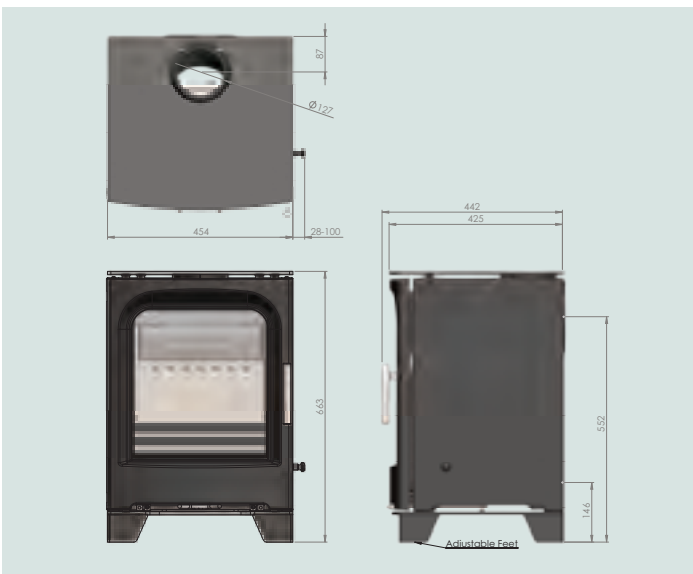
PV5i W=493mm **PV5iW** W=593mm



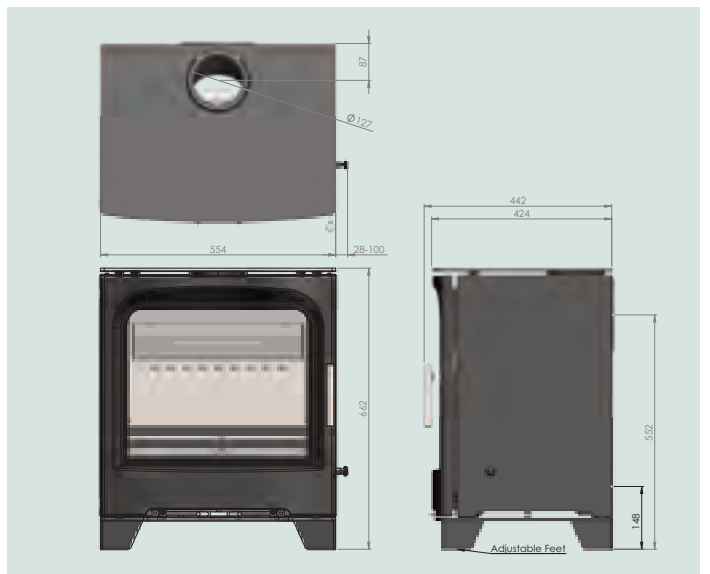
PV5W/BPV5W Slimline



PV85



Purevision PV5 Countryman



Purevision PV5W Countryman

Purevision™ Stove Specifications

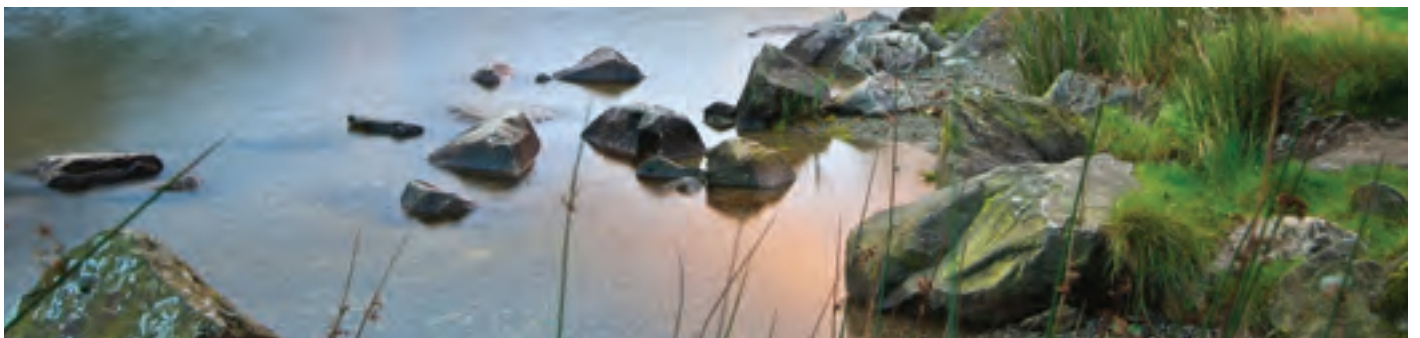
PUREVISION RANGE MULTI-FUEL STOVES

MODEL	PV5/BPV5	PV5W/ BPV5W	PV5W-SLIM/ BPV5W-SLIM	PV85	PV5i	PV5iW	PV5 Countryman	PV5W Countryman
Fuel:	Solid fuel or wood	Solid fuel or wood	Solid fuel or wood	Solid fuel or wood	Solid fuel or wood	Solid fuel or wood	Solid fuel or wood	Solid fuel or wood
Flue:	Top & Rear	Top & Rear	Top & Rear	Top & Rear	Top	Top	Top or Rear	Top or Rear
Flue diameter:	127mm (5")	127mm (5")	127mm (5")	127mm (5")	127mm (5")	127mm (5")	127mm (5")	127mm (5")
Finish:	Graphite Grey or Black	Graphite Grey or Black	Graphite Grey or Black	Graphite Grey	Graphite Grey	Graphite Grey	Black	Black
Appliance gross weight (kg):	105	120	105	153	91	109	110	125
Efficiency (%) wood/solid fuels:	80.2/82.0**	82.2/78.2**	77.1/82.5**	76.7/80.0**	80.2/82.0**	82.2/78.2**	80.2/82.0	82.2/78.2
Declared nominal output (kW):	5	5	5	8.5	5	5	5	5
Approximate output range (kW):	3.1-6	3.8-8	3.8-6.5	4.9-10	3.1-6	3.8-8	3.1-6	3.8-8
Distance to combustibles:	Rear 100 Side 250	Rear 150 Side 250	Rear 150 Side 250	Rear 200 Side 300	Top 250 Side 150	Top 275 Side 100	Rear 100 Side 250	Rear 100 Side 250
Max log length:	300	400	400	400-650	300	400	300	400
EEL classification for ecolabelling:	A	A+	A	A	A	A+	A	A+
Clearskies levels:	5	5	4	4	5	5	5	5

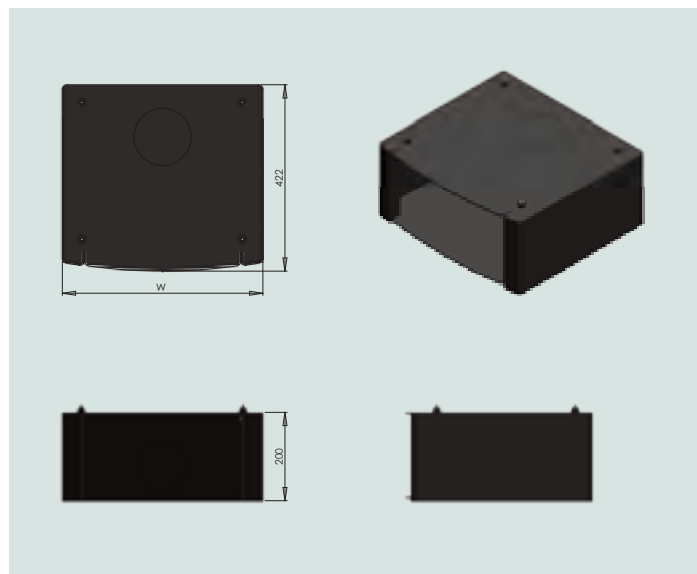
** For multi-fuel stoves, figures are shown for both fuels: wood/solid.

Specification

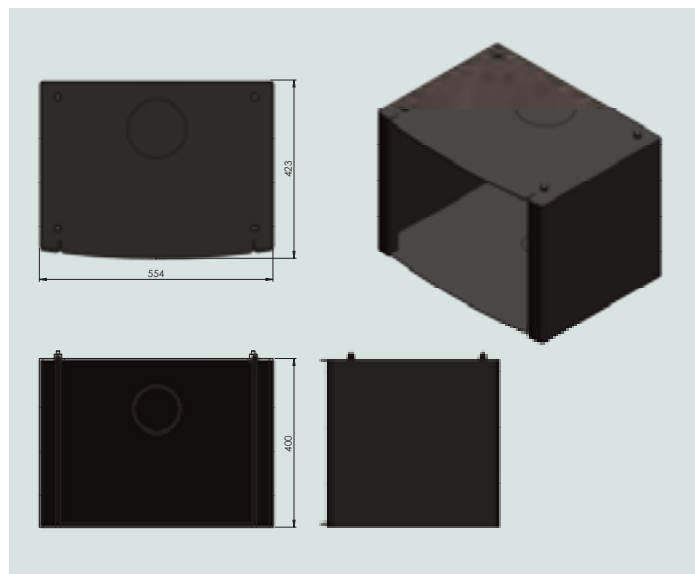
- Clean aesthetic design blends seamlessly with traditional or modern room and fireplace designs
- Very large glass windows on all models for the best possible view of the High Definition flames
- Patented for tertiary air-profiling system, which delivers the clean combustion and high efficiency required to meet or exceed the 2022 European Ecodesign Directive
- Automatic air distribution from a simple stainless steel single-lever control
- Powerful airwash system creating a clean High Definition (HD) fire view
- Self-latching door latches for ultimate ease of use, which are also self-adjusting as the door seals wear
- Modern hardwearing graphite grey metalwork. Some models are also available in black
- Optional flexible external air system for direct connection to outside, potentially eliminating the need for fixed exterior ventilators in the room
- Superior high-quality cast ceramic firebox liners that offer great durability and are self-cleaning
- Rotary riddling grate
- Full-sized cast iron door
- Identical door designs on the freestanding and inset models
- Optional stands and log stores for the freestanding models
- Top and rear flue connections for the freestanding models, for flexible siting and easy installation
- Adjustable feet on the legs of freestanding stoves and on log stores
- All freestanding models require only a 12mm superimposed hearth extending underneath and 230mm in front of the stove
- DEFRA exemption for burning wood logs in smokeless zones
- Full multi-fuel capability as standard (except the LPV5 and LPV8)
- Active baffle innovation for easy starting and operation
 - IGN position for quick start and flue heat-up
 - MANUAL position for flues that do not require help
 - AUTO position for refuelling assistance.



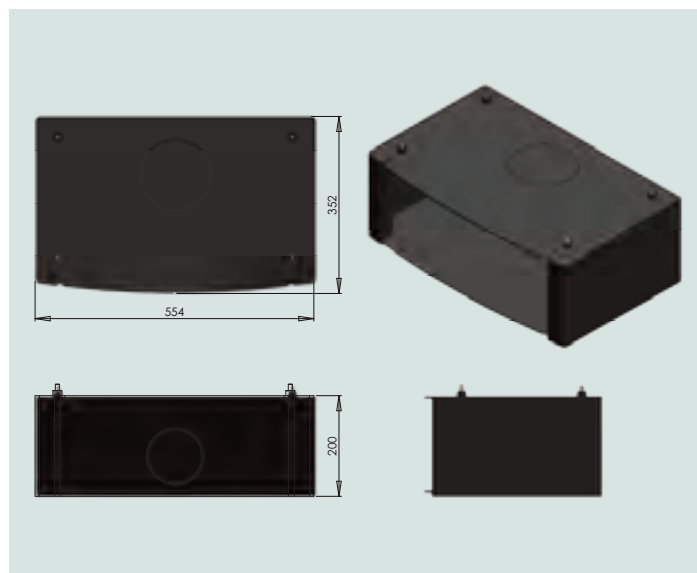
Purevision™ Log Store Dimensions



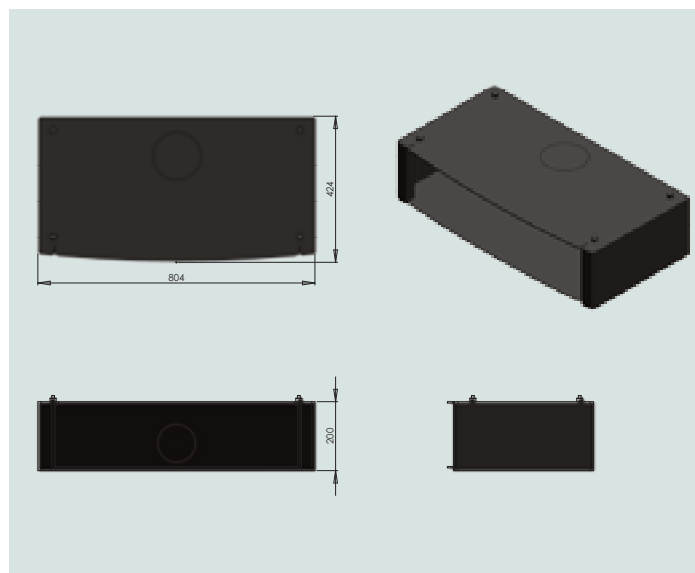
PV5 Log Store Short W=454mm **PV5W** W=554mm



PV5 Log Store Midi W=454mm **PV5W** W=554mm **PV85** W=804mm



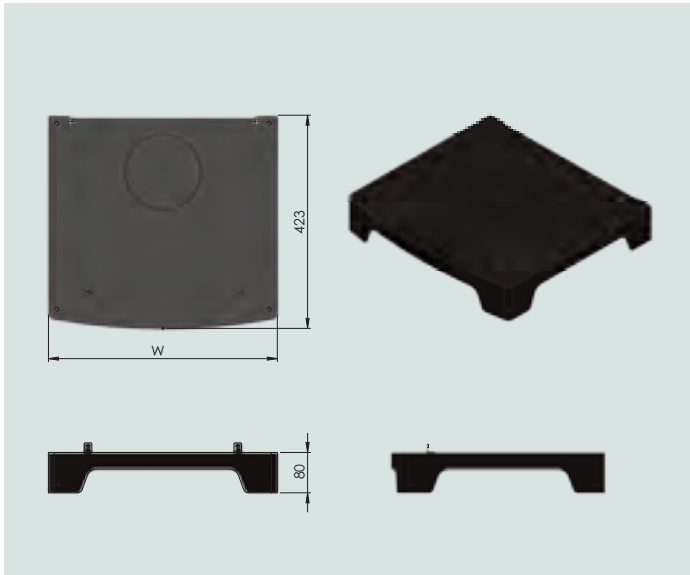
PV5W Slimline Log Store Short



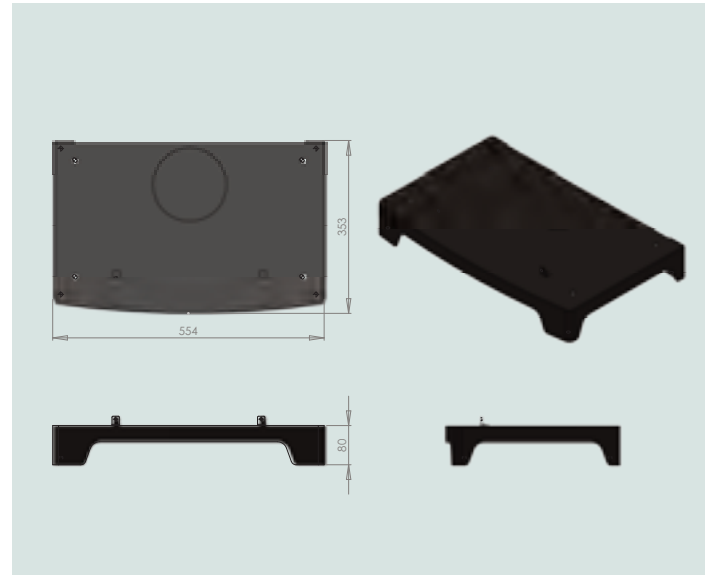
PV85 Log Store Short



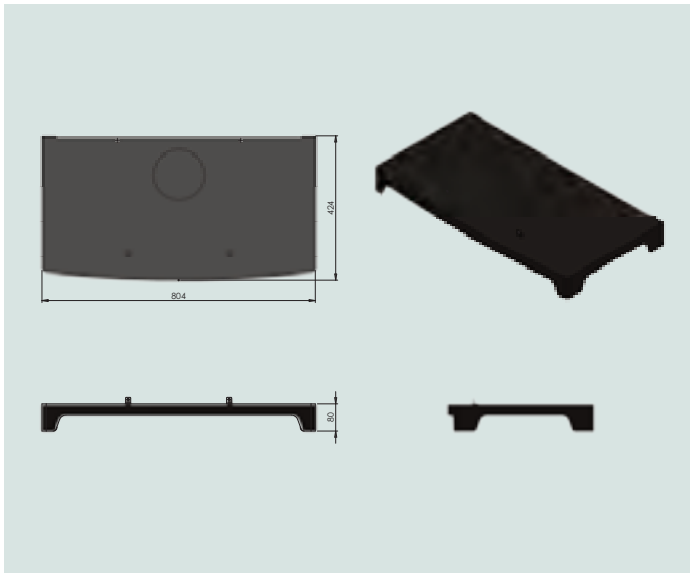
Purevision™ Stove Stand Dimensions



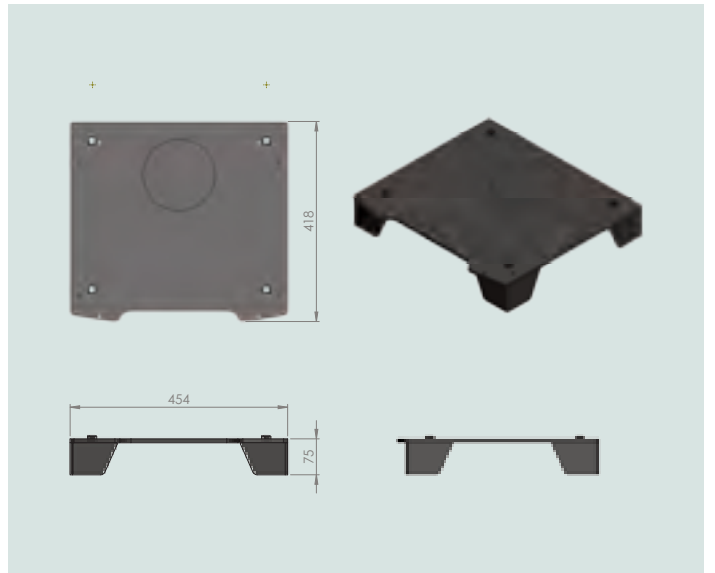
PV5 Short Stand W=454mm **PV5W** W=554mm



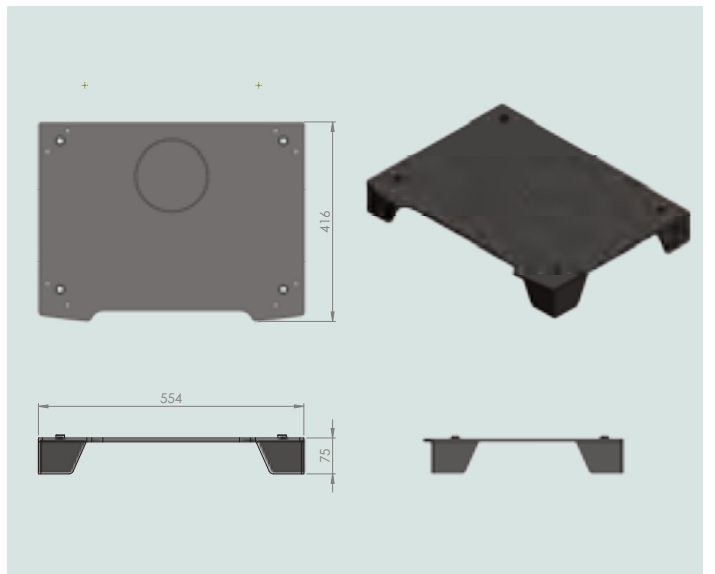
PV5W Slimline Short Stand



PV85 Short Stand

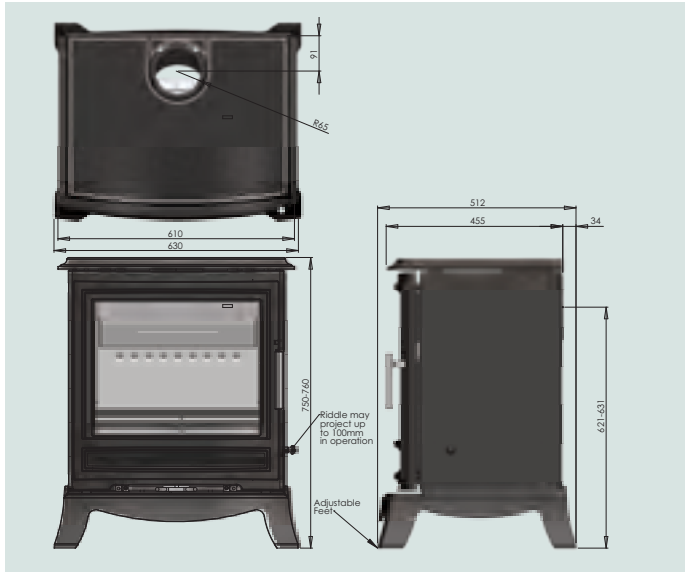


PV5 Countryman Low Stand

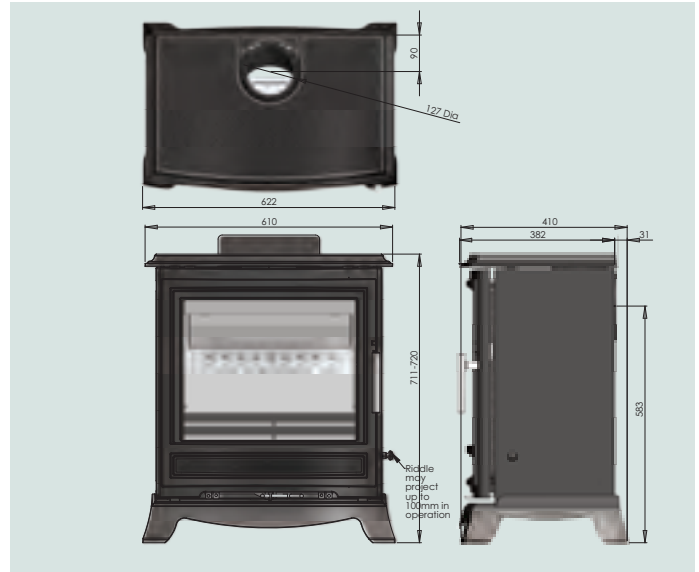


PV5W Countryman Low Stand

Purevision™ Classic Dimensions & Specifications



CPV5W



CPV5W slimline



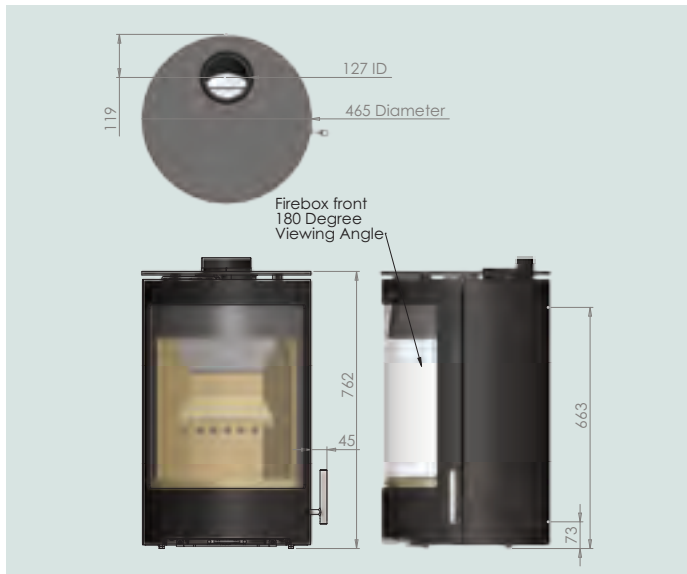
PUREVISION CLASSIC RANGE MULTI-FUEL STOVES

MODEL	CPV5W	CPV5W-SLIMLINE
Fuel:	Solid fuel or wood	Solid fuel or wood
Flue:	Top & Rear	Top & Rear
Flue diameter:	127mm (5")	127mm (5")
Finish:	Black	Black
Appliance gross weight (kg):	146	130
Efficiency (%) wood/solid fuels:	82.2/78.2**	77.1/82.5**
Declared nominal output (kW):	5	5
Approximate output range (kW):	3.8-8	3.8-6.5
Distance to combustibles:	Rear 150 Side 250	Rear 150 Side 250
Max log length:	400	400
EEL classification for ecolabelling:	A+	A
Clearskies levels:	5	4

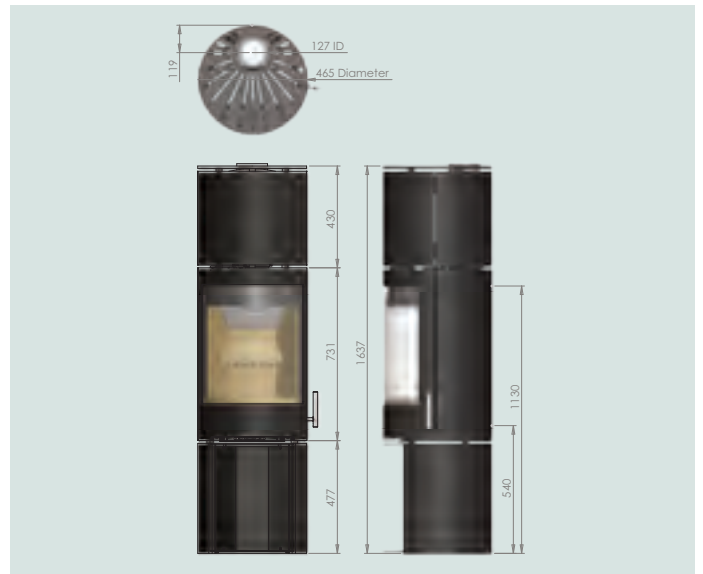
Specification

- Substantially sized stove with huge glass fire viewing area
- Active baffle innovation for easy starting and operation
 - IGN position for quick start and flue heat-up
 - MANUAL position for flues that do not require help
 - AUTO position for refuelling assistance
- Solid stainless steel baffle and mechanism
- All 5kW nominal outputs for ventilation flexibility
- Approx range – CPV5W 3.8-8 kW – CPV5W-SLIM 3.8-6.5kW
- High-quality cast iron top blanking plate for rear flue connections or infill piece for top flues
- High-quality cast iron base unit (pre-fitted) with adjustable feet for levelling
- Rear of base unit has full detailing of legs and body for aesthetic benefit when freestanding
- Reduced clearances to combustibles using included free heatshield and twin wall flue connection
 - Rear: 150mm CPV5W Side 250mm
- 5" flue connections for flexibility of flueing (still use minimum 6" diameter wherever possible)
- Single air control (wood/coal – primary/secondary/tertiary air)
- Multi-fuel capable
- Ceramic Firebox linings
- Direct outside air connection kit available
- High Definition flame picture
- DEFRA exempt for burning in smokeless controlled areas
- Solid stainless steel heavy-duty operating tool and stand
- Quality maintenance tool roll provided.

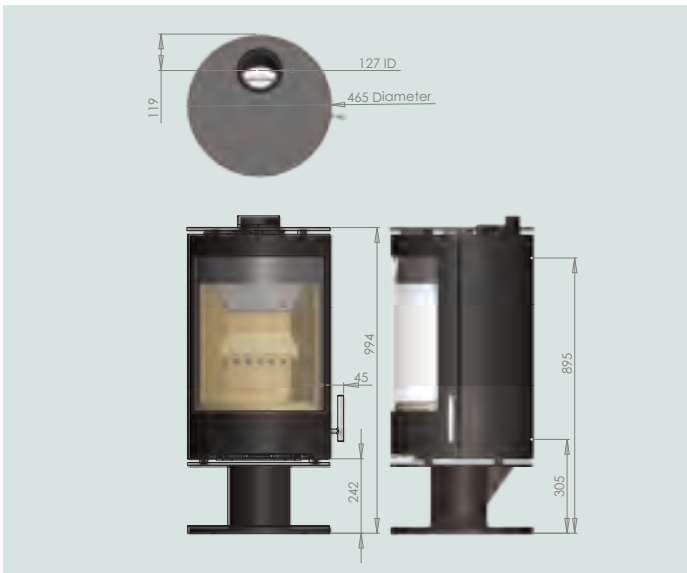
Purevision™ PVR Dimensions & Specifications



PVR cylinder assembly



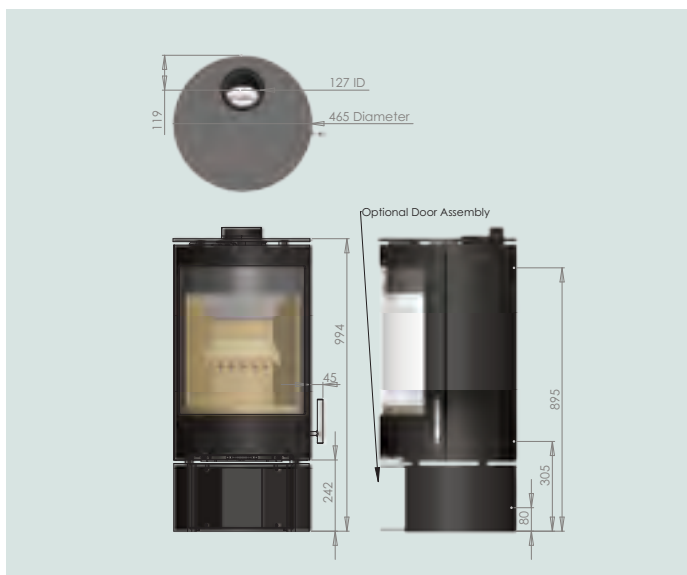
PVR cylinder assembly with heat exchanger



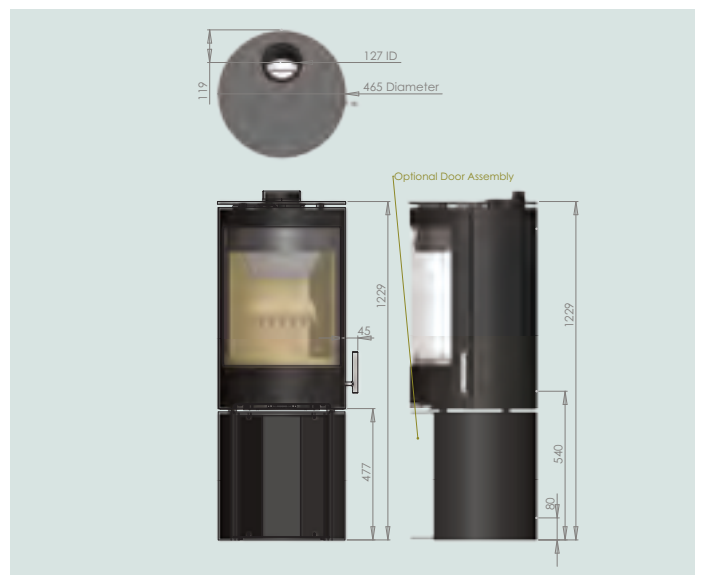
PVR cylinder assembly with low pedestal stand



PVR cylinder assembly with high pedestal stand



PVR cylinder assembly with low log store stand



PVR cylinder assembly with high log store stand

Purevision™ PVR Dimensions & Specifications continued



PVR square back wall mount

PVR PANORAMIC STOVE RANGE

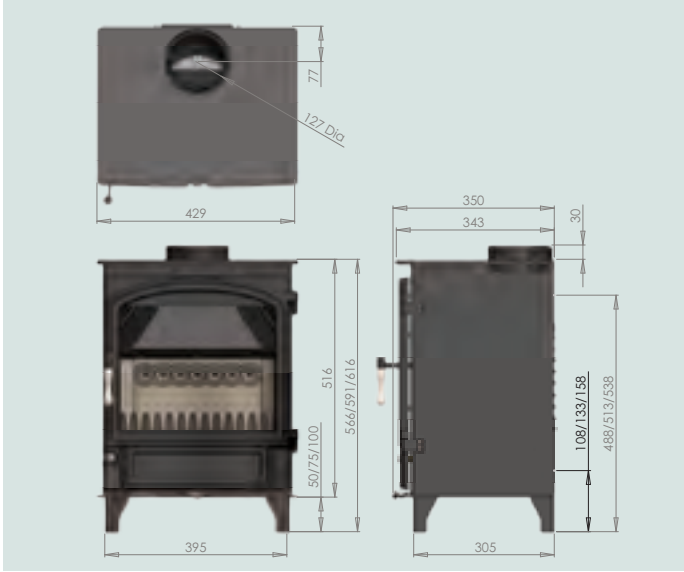
MODEL	PVR 5kW	PVR 5kW with Heat Exchanger
Appliance weight (packed/unpacked): (Kg)	105/94	105/94
Approximate Output Range: (kW)	3.2 – 6.8	3.2 – 6.8
Harmonised EN European Standard (hEN):	EN13240: 2001 Amd 2: 2004	EN13240: 2001 Amd 2: 2004
EEL classification for ecolabelling:	A	A+
Clearskies levels:	5	5
Performance Characteristics using Wood Fuel		
Total Efficiency: (%)	76.8	83.9
Declared nominal output: (kW)	5	5
Mean C _n H _m emission (@13% O ₂): (Nmg/m ³)	45	52
Mean NO _x emission (@13% O ₂): (Nmg/m ³)	86	89
DIN+ particulates (@13% O ₂): (Nmg/m ³)	13	13
PD6434 Particulate Emissions High output: (gh ⁻¹)	2.3	2.3
PD6434 Particulate Emissions Low output: (gh ⁻¹)	1.5	1.5
Optical Density Time > 0.2 High (Mins)	0	0
Optical Density Time > 0.2 Low (Mins)	0.2	0.2
Approximate Max Log Length: (mm)	300	300
Performance Characteristics using Maxibrite Briquetted Smokeless Fuel		
Total Efficiency: (%)	81.8	87.2
Declared nominal output: (kW)	5	5
Mean C _n H _m emission (@13% O ₂): (Nmg/m ³)	22	15
Mean NO _x emission (@13% O ₂): (Nmg/m ³)	105	124
DIN+ particulates (@13% O ₂): (Nmg/m ³)	20	25
Safety Distances From Combustibles		
Side Wall: (mm)	400/600	400/600
Rear Wall: (mm)	175/70	175/70

Specification

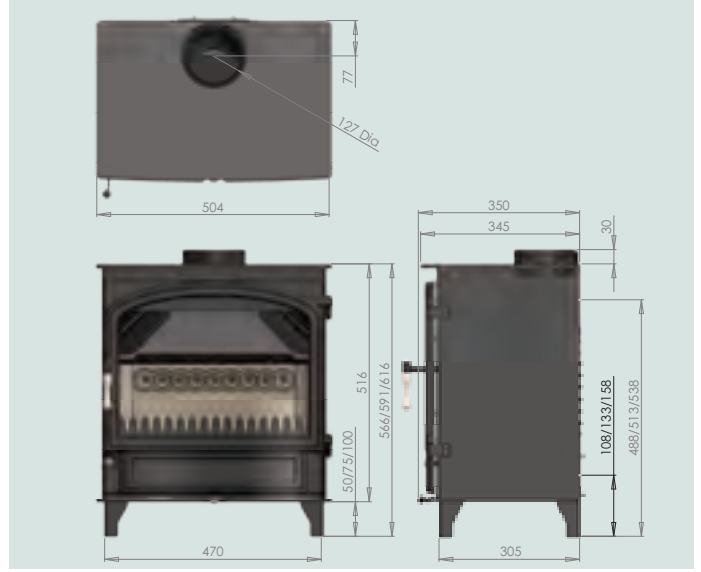
- Up to 180 degree panoramic ceramic glass window for unbeatable fire view
- 100% unrestricted fire view with no side window pillars
- See the fire from all around when fitted against a flat wall – no need for swivelling base or flue connector
- Powerful fully pre-heated air wash system
- 70mm rear clearance from combustibles
- 200mm side clearance for combustible corner installations
- 12 different firebox, stand and heat exchanger configurations to suit every customer requirement
- Extra-wide door opening for cleaning and servicing firebox access
- Low emissions below 2022 Ecodesign requirements for both fuels
- DEFRA exempt to burn wood logs in smokeless zones
- High efficiency up to 87% with optional heat exchanger module
- 5kW nominal output with approximate operating range from 3.2-6.8kW
- Cool touch solid stainless steel handle
- Easy reach option to use multi tool to extend door handle
- Automatic door latch for effortless secure closure of door
- Huge panoramic window height and width to enjoy the full flame picture
- Multi-fuel capable for optional smokeless fuel use
- Wall-mounting version compatible with combustible/timber wall constructions
- Hearth-mounting option for maximum flexibility
- Optional stands and log stores
- Optional door kits for log stores
- External air kit option for 100% external air intake
- Rear or base external air connection options
- Contemporary graphite grey metallic high-temperature finish
- Single air control for all operations
- Boost position for rapid reignition after refuel
- Cast iron fire base plate for wood burning included
- Multi-fuel cast iron bar grate included
- Stainless steel ash rake included
- Solid heavy-duty stainless steel multi tool and laser profiled stand included
- High-quality stove gloves provided
- Heavy-duty engineering and seam-welded laser profile construction
- Schott Robax™ curved ceramic glass panel
- Stainless steel 'shovel' ash pan solution
- Unique active baffle solution for fast light-up and easier refuelling
- Long-life baffle assembly constructed in solid laser-profiled stainless steel
- 5" flue connection for maximum installation flexibility
- Patented tertiary air system for rapid light off, clean burning with minimal emissions
- High-quality micro-detailed, self-cleaning cast ceramic firebox liners
- SIA Ecodesign Ready verified products
- Range meets the strictest EU emissions control levels.



Purevision™ Heritage PV Dimensions & Specifications



HPV5



HPV5W

HERITAGE PV RANGE SPECIFICATION TABLE

MODEL	HPV5	HPV5W
Fuel:	Solid fuel or wood	Solid fuel or wood
Flue:	Top & Rear	Top & Rear
Flue diameter:	127mm (5")	127mm (5")
External Air Kit Availability:	Yes	Yes
Finish:	Black	Black
Appliance gross weight (kg):	96	105
Efficiency (%) wood/solid fuels:	80.6	80.5
Declared nominal output (kW):	5	5
Approximate output range (kW):	3.9-7.1	3.9-7.5
Max log length:	325	400
EEL classification for ecolabelling:	A+	A+
Clearskies levels:	5	5

HERITAGE PV RANGE HEIGHTS WITH ACCESSORIES

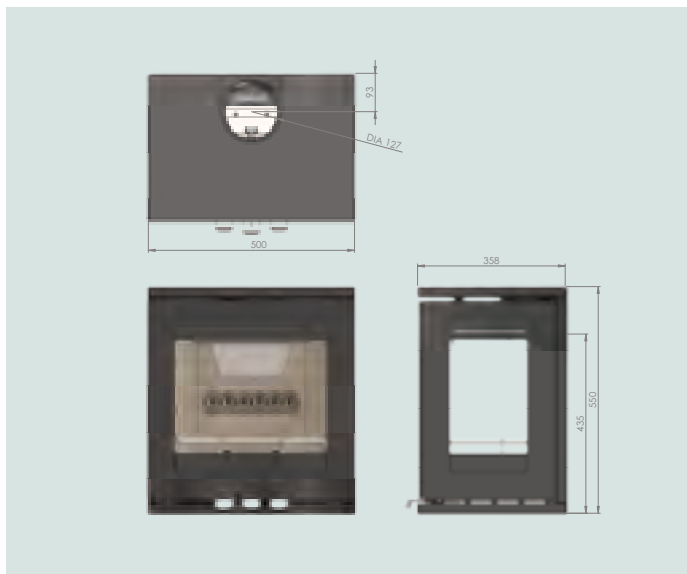
ACCESSORY	HEIGHT WITH HPV5/HP5W (mm)
50mm Leg	566
75mm Leg	591
100mm Leg	616
50mm Leg with Canopy	736
75mm Leg with Canopy	761
100mm Leg with Canopy	786
Log Store	776
Log Store with Canopy	946

HERITAGE PV RANGE CLEARANCES FROM COMBUSTIBLES TABLE

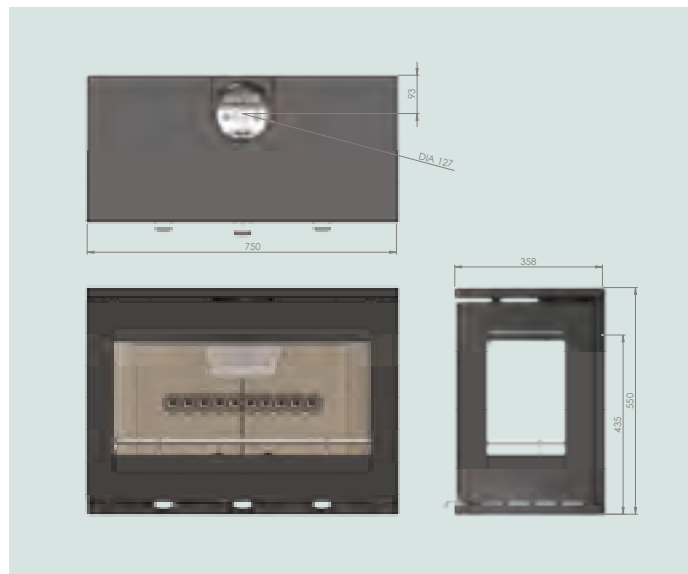
MODEL	SIDE	REAR SINGLE WALL FLUE	REAR SINGLE WALL FLUE	REAR TWIN WALL FLUE	REAR TWIN WALL FLUE
		NO SHIELD	UPPER SHIELD FITTED	NO SHIELD	UPPER SHIELD FITTED
Heritage Purevision 5kW HPV5	700mm (from side plate)	300mm (from top plate)	250mm (from top plate)	250mm (from heatshield)	200mm (from top plate)
Heritage Purevision 5kW Wide HPV5W	750mm (from side plate)	350mm (from top plate)	300mm (from top plate)	300mm (from heatshield)	200mm (from top plate)

Note: Twin wall adaptor flue lengths that insulate the flue pipe connector right down to the top plate of the stove can be used as an alternative to the upper heat shield and conventional single to twin wall adaptor.

Purevision™ Linear LPV Dimensions & Specifications



LPV5



LPV8



LPV5 on Leg Stand



LPV8 on Leg Stand



LPV5 on Pedestal Stand



LPV8 on Pedestal Stand

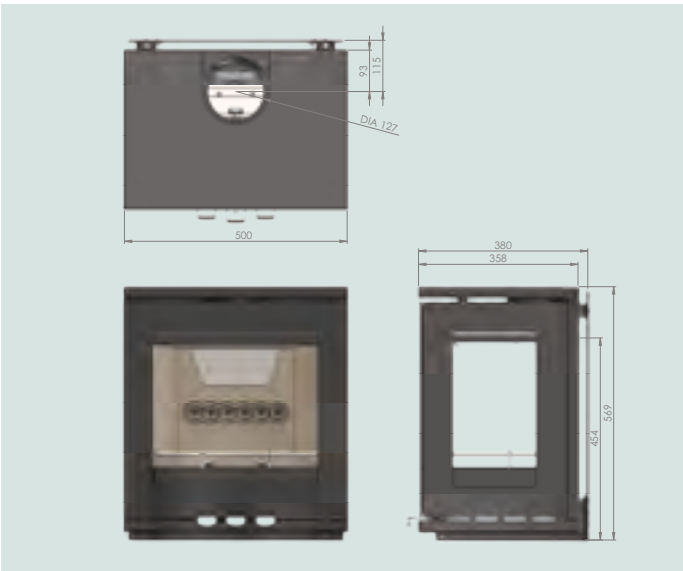
Purevision™ Linear LPV Dimensions & Specifications



LPV5 on Log Store



LPV8 on Log Store



LPV5 on Wall Mounting Plate



LPV8 on Wall Mounting Plate

PUREVISION LINEAR LPV SPECS & EMISSIONS DETAILS

MODEL	LPV5	LPV8
Fuel:	Wood Logs	Wood Logs
Flue:	Top or Rear	Top or Rear
Flue diameter:	127mm (5")	127mm (5")
Finish:	Black	Black
Appliance gross weight (kg):	96	132
Efficiency (%) wood:	79.6	76.5
Declared nominal output (kW):	5	8
Approximate output range (kW):	3.8-7.1	5-9.9
Distance to combustibles:	Rear 80, Side 650	Rear 200, Side 750
Max log length:	320	550
EEL classification for ecolabelling:	A	A
Clearskies levels:	5	4

Purevision™ Installation Options



Limestone Surround

The most luxurious installation option, for either inset or freestanding stoves. More suited to a limestone fireplace and is sure to leave a lasting impression on all of your guests.



Inglenook

Create a cosy interior design for snug interior spaces. Choose between a wide variety of wooden beams to create a traditional look that matches your home, or no wooden beam for a more modern look.



Free-standing

Perfect for open plan living environments, creating a central feature. Purevision stoves are easily capable of heating a large space, making your home perfect for entertaining.



Purevision™

Technical Design and Performance Details

Charlton & Jenrick invests in a substantial programme of continuous research and development from which the Purevision range of SIA Ecodesign Ready high-technology wood and multi-fuel burning stoves have emerged. Giving the user high-efficiency performance and low emissions by incorporating a patented bespoke air profiling system and constructed with ultra-high specification materials and workmanship, the range has set new standards in multi-fuel home heating.

The team here at Charlton & Jenrick has developed no-compromise examples of the latest batch-fed combustion technology, meeting or exceeding the toughest emissions standards in Europe – amongst the highest in the world – whilst maintaining state-of-the-art thermal efficiencies of up to 87%. This level of performance was long thought to be nearly impossible, but here it is in production, ready for you to enjoy the benefits whilst as far as possible protecting the environment. Long gone is the theory that you need a dedicated wood burner rather than a multi-fuel stove for the best possible combustion of wood. Charlton & Jenrick has once and for all solved that conundrum and turned it into a myth.

Not satisfied with merely achieving technical combustion excellence for environmental and efficiency benefits, Charlton & Jenrick has incorporated a huge number of advanced features into all its products for ultimate ease of installation, operation and use in the home environment.

The range comprises inset, freestanding, heat exchanger and wall-mounted models from 5kW nominal, through 5kW wide and panoramic models to the larger 8.5kW fireboxes for greater presence and flame picture impact. Externally the heavyweight doors have elegant lines and sophisticated curves to complement and enhance a vast range of interior design or fireplace choices. Exceptionally large glass panels maximise the view of the spectacular yet low emission wood flames. Freestanding models

benefit from optional stands and log stores for convenience and ease of use. Pedestals are also available for the PVR range to make operation and refuelling a pleasure. For installation flexibility, all freestanding models are compatible with superimposed hearths and the PVR wall-mounting model can even be fitted to a suitably constructed strong timber wall. Inset models retain all the aesthetic qualities of the freestanding models and avoid compromise often seen with inset stoves. Every model uses patented tertiary air profiling technology, cast with exquisite detail into the fine quality high-durability ceramic firebox liners. All stoves in the Purevision range have 5" flue connectors with top and rear options on freestanding models. A dedicated external air system can provide 100% combustion air from outside the property, in most cases effectively eliminating the need to install open air vents to the room. Automatic door latches and the broad air cooled solid stainless steel handle mean that refuelling actions are smooth and simple. A single laser-etched stainless steel air control lever automatically distributes combustion air to the firebox for the optimum burn. Inside, most components are removable without any tools for easy cleaning and servicing. The unique Purevision active baffle system is constructed from solid stainless steel and provides bespoke operational flexibility that no other UK stove manufacturer can currently offer.

To complete the whole package, a complementary solid stainless steel operating tool and stand are provided together with a branded tool roll and high-quality tools to make sure every detail is covered, leaving nothing to chance.

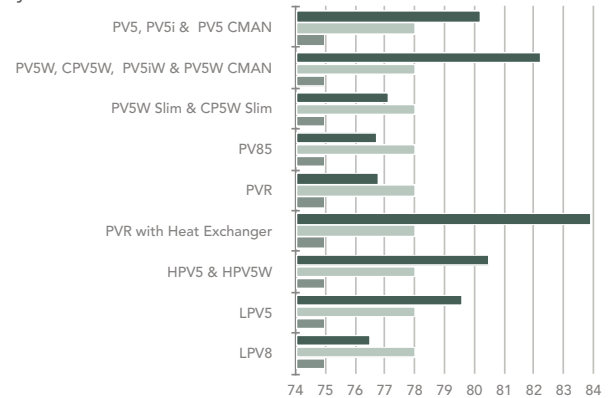
The entire range of Purevision stoves are 2022 SIA Ecodesign ready verified and listed, DEFRA exempt and listed, designed and manufactured under both ISO 9001 quality and ISO 14001 Environmental management systems and of course fully CE marked to the latest European standards – for total peace of mind.

PUREVISION  N

Total efficiency

Total efficiency is measured using well-established methods from harmonised EU standards EN 13240 and EN 13229. It is an indicator of the ability of a stove to turn fuel into heat for you. Although sometimes misrepresented, it is not in fact a measure of clean burning at all – always look at emissions data for that information. Many clean-burning stoves have a low total efficiency and many efficient stoves have high emissions.

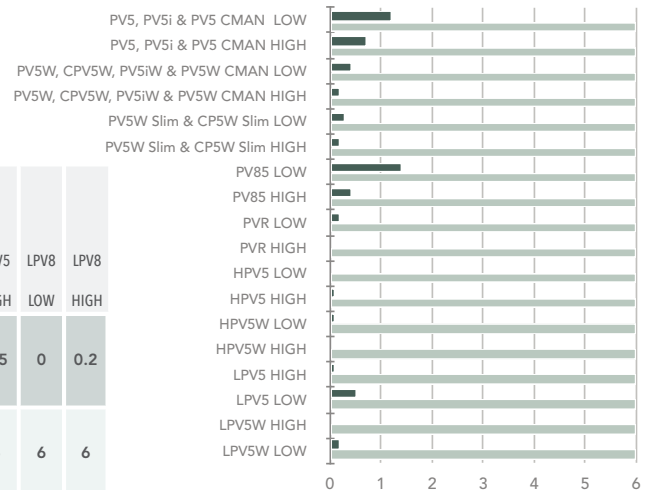
	PV5, PV5i & PV5 CMAN	PV5W, CPV5W, PV5iW & PV5W CMAN	PV5WSlim & CP5WSlim	PV85	PVR	PVR with Heat Exchanger	HPV5 & HPV5W	LPV5	LPV8
Purevision Efficiency (%)	80.2	82.2	77.1	76.7	76.8	83.9	80.5	79.6	76.5
DIN+ Efficiency Limit (%)	78	78	78	78	78	78	78	78	78
Ecodesign EU Efficiency Limit 2022 (%)	75	75	75	75	75	75	75	75	75



DEFRA Optical Density

This graph demonstrates the excellent clean-burning characteristics of the Purevision™ stove range during strictly controlled testing for DEFRA smokeless zone exemption for burning wood logs. Average optical density readings beat limits by up to 97% and average electrostatic precipitator particulate emissions exceed requirements by up to 75%.

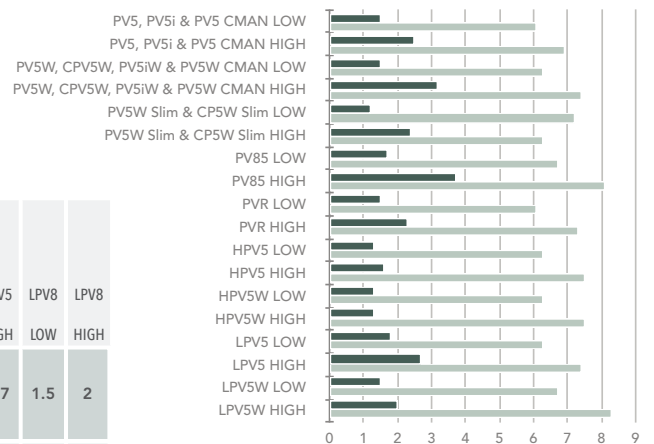
	PV5, PV5i & PV5 CMAN	PV5, PV5i & PV5 CMAN	PV5W, CPV5W, PV5iW & PV5W CMAN	PV5W, CPV5W, PV5iW & PV5W CMAN	PV5W Slim & CP5W Slim	PV5W Slim & CP5W Slim	PV85	PV85	PVR	PVR	HPV5/HPV5W	HPV5/HPV5W	LPV5	LPV5	LPV8	LPV8
	LOW	HIGH	LOW	HIGH	LOW	HIGH	LOW	HIGH	LOW	HIGH	LOW	HIGH	LOW	HIGH	LOW	HIGH
Optical Density (mins >0.2)	1.2	0.7	0.4	0.2	0.3	0.2	1.4	0.4	0.2	0	0/0.1	0.1/0	0.1	0.5	0	0.2
Optical Density Limit (mins >0.2)	6	6	6	6	6	6	6	6	6	6	6	6	6	6	6	6



DEFRA PD6434 Particulate Emissions

This graph also demonstrates the excellent clean-burning characteristics of the Purevision™ stove range during strictly controlled testing for DEFRA smokeless zone exemption for burning wood logs. Average optical density readings beat limits by up to 97% and average electrostatic precipitator particulate emissions exceed requirements by up to 75%.

	PV5, PV5i & PV5 CMAN	PV5, PV5i & PV5 CMAN	PV5W, CPV5W, PV5iW & PV5W CMAN	PV5W, CPV5W, PV5iW & PV5W CMAN	PV5W Slim & CP5W Slim	PV5W Slim & CP5W Slim	PV85	PV85	PVR	PVR	HPV5/HPV5W	HPV5/HPV5W	LPV5	LPV5	LPV8	LPV8
	LOW	HIGH	LOW	HIGH	LOW	HIGH	LOW	HIGH	LOW	HIGH	LOW	HIGH	LOW	HIGH	LOW	HIGH
Purevision PD6434 Particulates (g/h)	1.5	2.5	1.5	3.2	1.2	2.4	1.7	3.7	1.5	2.3	1.3	1.6/1.3	1.8	2.7	1.5	2
PD6434 Particulates Limit (g/h)	6.1	6.9	6.3	7.4	7.2	6.3	6.7	8.1	6.1	7.3	6.3	7.5	6.3	7.4	6.7	8.3

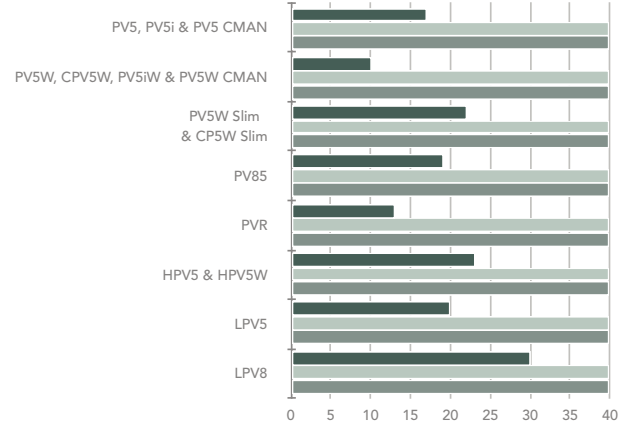


Purevision™ Wood-burning Technical Data

DIN+ Particulate Emissions

DIN+ particulate measurements are a comparative assessment of clean burning used extensively in Europe. Emissions from the Purevision™ range are up to 75% lower than the strictest EU requirements, including the 2022 Ecodesign Directive.

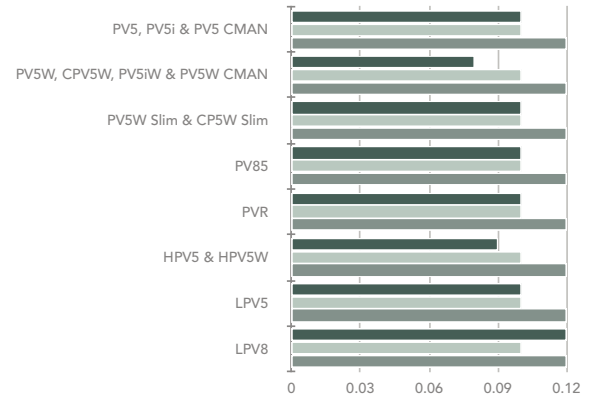
	PV5, PV5i & PV5 CMAN	PV5W, CPV5W, PV5iW & PV5W CMAN	PV5WSlim & CP5WSlim	PV85	PVR	HPV5 & HPV5W	LPV5	LPV8
Purevision DIN+ Particulates (Nmg/m³)	17	10	22	19	13	23	20	30
DIN+ Particulate Limit (Nmg/m³)	40	40	40	40	40	40	40	40
Ecodesign EU Particulate Limit 2022 (Nmg/m³)	40	40	40	40	40	40	40	40



CO Emissions

CO emissions are being reduced and current EN 13240/13229 limits of 1% are being updated. Charlton & Jenrick aims for 0.1% or less when burning wood. The Purevision™ range already meets or exceeds the strictest EU requirements, including the 2022 Ecodesign Directive.

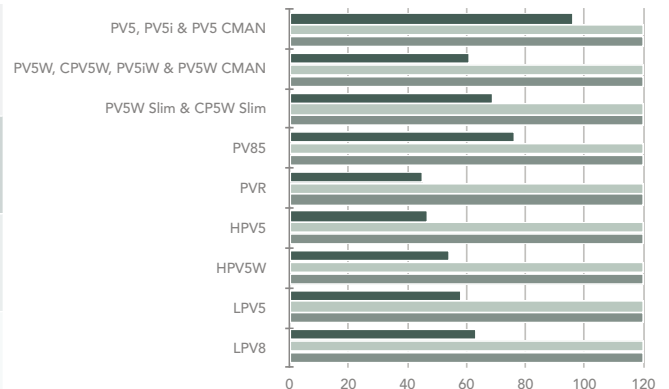
	PV5, PV5i & PV5 CMAN	PV5W, CPV5W, PV5iW & PV5W CMAN	PV5WSlim & CP5WSlim	PV85	PVR	HPV5 & HPV5W	LPV5	LPV8
Purevision CO (%)	0.1	0.08	0.1	0.1	0.1	0.09	0.1	0.12
DIN+ CO Limit (%)	0.1	0.1	0.1	0.1	0.1	0.1	0.1	0.1
Ecodesign EU CO Limit 2022 (%)	0.12	0.12	0.12	0.12	0.12	0.12	0.12	0.12



Organic Gaseous Carbon

Organic Gaseous Carbon forms part of emissions testing and is measured according to well-established methods such as DIN+. The Purevision™ range already meets or exceeds the strictest EU requirements, including the 2022 Ecodesign Directive.

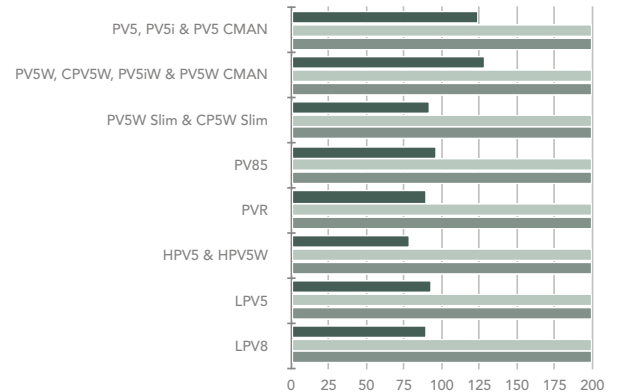
	PV5, PV5i & PV5 CMAN	PV5W, CPV5W, PV5iW & PV5W CMAN	PV5WSlim & CP5WSlim	PV85	PVR	HPV5 & HPV5W	LPV5	LPV8
Purevision OGC (Nmg/m³)	96	61	69	76	45	47/54	58	63
DIN+ CO Limit (Nmg/m³)	120	120	120	120	120	120	120	120
Ecodesign EU OGC Limit 2022 (Nmg/m³)	120	120	120	120	120	120	120	120



NOx Emissions

Emissions of nitric oxide and nitrogen dioxide (known collectively as NOx) are monitored as part of worldwide air quality standards and can be tested using DIN+ methods. Purevision™ stoves NOx emissions far exceed the strictest EU requirements and the 2022 Ecodesign Directive.

	PV5, PV5i & PV5 CMAN	PV5W, CPV5W, PV5iW & PV5W CMAN	PV5WSlim & CP5WSlim	PV85	PVR	HPV5 & HPV5W	LPV5	LPV8
Purevision DIN+ NOx (Nmg/m³)	124	128	92	96	89	78	93	90
DIN+ NOx Limit (Nmg/m³)	200	200	200	200	200	200	200	200
Ecodesign EU NOx Limit (Nmg/m³)	200	200	200	200	200	200	200	200



Charlton & Jenrick Company and Product Accreditations

Charlton & Jenrick have made a very substantial investment over the years in obtaining a wide range of accreditations and trade body memberships to ensure that we are consistently offering the best possible products and services to our customers. We not only manufacture appliances but we also put in huge behind-the-scenes efforts to ensure that we input to and keep abreast of impending legislation, standards, product performance and environmental requirements. Currently we subscribe and contribute to the following accreditations:

The UKCA (UK Conformity Assessed) mark is the new UK product mark that replaces the CE mark for products being placed on the market in Great Britain (England, Wales and Scotland). It covers most products that previously required the CE mark. All our fires comply to this new mark.

SIA Ecodesign Ready marking is an independent scheme run by the Stove Industry Alliance to verify and independently demonstrate that wood burning stoves already meet the strict requirements of the 2022 EU Ecodesign Directive for performance and emissions.

HHIC, the Heating and Hot Water Information Council is a trade body representing the UK gas fire industry. As part of the Energy and Utilities Alliance, within the HHIC we have an input into EU and UK standards committees, communicate with Government departments and keep abreast of serious issues affecting the gas fire industry.

SIA, the Stove Industry Alliance is the UK trade body for the solid fuel stove industry. C&J are members of the Executive Committee and currently chair the Technical Committee enabling input into UK and EU standards committees and lines of communication into Government departments and keeping up to date on a wide range of issues affecting the industry.

DEFRA exemption is the mechanism where our wood burning stoves are checked and certified to comply with the Clean Air Act and therefore allowed to be used in smoke control zones throughout the UK. Involving a strict test programme and independent report, this is then thoroughly assessed by DEFRA advisors before being accepted.

Gas Safe Register is the mandatory national competent persons scheme to allow work on gas fittings and appliances in customers' homes. Our service and most of the sales team have completed the regular training courses and sit the regular exams to ensure our customers have the best support and service.

ISO9001 is the internationally recognised standard for Quality Management Systems which in our case includes the activity of product design and development as well as production, sale and support functions. Annual independent audits and certification ensure continued compliance in producing consistent quality products.

ISO14001 is the internationally recognised standard for Environmental Management Systems. Once again this independently audited and certified system makes sure that we are regularly monitoring and reviewing the impact of the business and its products to ensure we minimise negative impacts and promote best practice.

ClearSkies is a certification mark for Emissions and Energy Performance of domestic wood & solid fuel stoves and fireplaces. clearSkies ratings, namely the certification levels, will show appliances that meet defined emissions and efficiency thresholds that exceed the minimum requirements set by the ecodesign regulation.

CE marking of products is mandatory for electric fires and stoves in Europe. We always invest in independent testing and certification to ensure our products meet all necessary requirements for the regions we operate in.



Charlton & Jenrick^{LTD}

Charlton & Jenrick Ltd, Unit D,
 Stafford Park 2, Telford, Shropshire TF3 3AR
 Tel: 01952 200444
 e-mail: sales@charltonandjenrick.co.uk

 charltonandjenrick.co.uk



CONNECT WITH US:

